



# CATALOG 2023



# ADLER

ROLLLADEN UND ROLLTORS SYSTEME



# ADLER

## ROLLADEN UND ROLLTORS SYSTEME



## ABOUT OUR COMPANY

- The FEPLAST company is located in the city of Prizren. It's a family company, which has a long tradition. In the beginning of its foundation the company dealt with business on selling the shutters and its parts and later on seeing the dynamic and market demands, the company manages to transfer into the production of shutters of all types and its parts, with a very modern technology and prior to European standards. Now, as company we are able to obtain the best advanced operational and installation techniques for every system.
- The staff who are employed in company, possess the high ability of expertise in finishing jobs over the installation of every system and always ready in offering the assistances and solving the problems in which eventually might be occurred during the process of installation.

### 📍 TURKEY

Küçükçekmece İkiteli  
OSB blok 13 / İSTAN-  
BUL TURKEY  
0090 544 401 77 54  
info@rollstar.com.tr

### 📍 GERMANY

HEITERSHEIM  
info@adlerrolladen.com

### 📍 ITALY

VIE JACOBO FILIASI  
118 MESTRE VENETO  
ITALIA  
+39 328 801 04 06  
info@adlerrolladen.com

### 📍 KOSOVA

LUBIZHDA E QYTETIT  
PRIZREN  
+383 29 22 33 44;  
045 588 577  
info@feplast-ks.com

### 📍 SERBIA

PAVLA JURICA STURMA  
39 / PROEREVAC  
+381 65 466 00 12  
info@adlerrolladen.com

### 📍 MACEDONIA

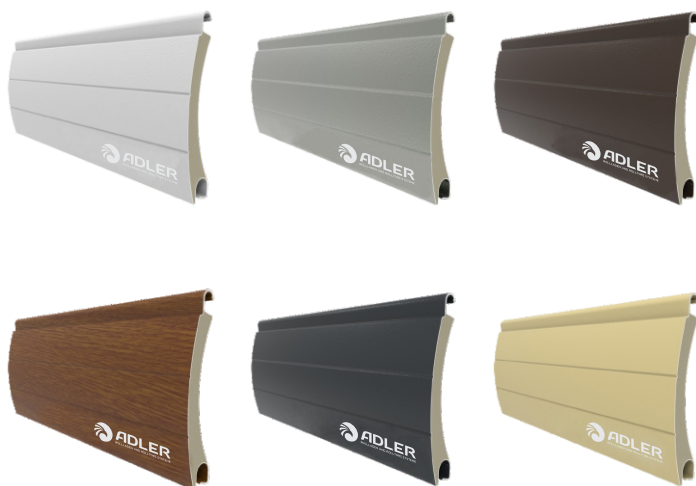
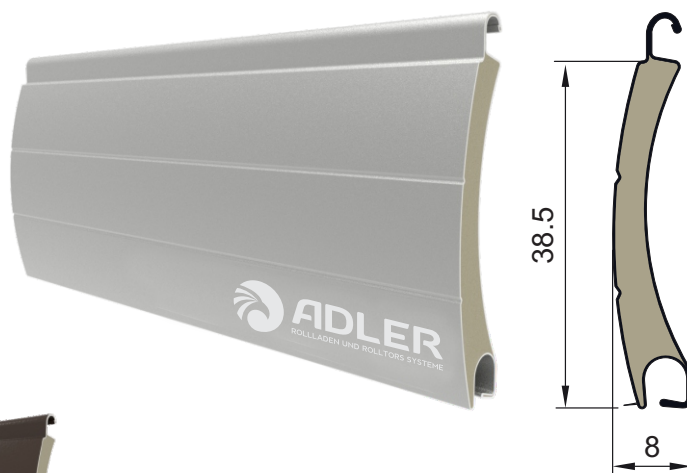
ILINDENSKA NR 24  
TETOVO  
+389 44 458 584;  
070 688 636  
feplast-te@hotmail.com



# ALUMINIUM SLATS

# SLATS 39mm


Aluminium slats with Polyurethane

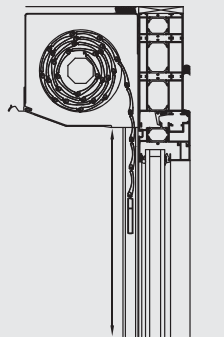


## COLORS OF SLATS

White - RAL 9016	AS-001-39-22
Metallic Grey - RAL 9006	AS-002-39-22
Brown - RAL 8014	AS-003-39-22
Brown - RAL 8017	AS-007-39-22
Brown - RAL 8019	AS-008-39-22
Anthracite Grey - RAL 7016	AS-004-39-22
Light Ivory - RAL 1013	AS-005-39-22
Golden Oak	AS-006-39-22
Dark Wood	AS-009-39-22
Bronz	AS-010-39-22
Hazelnut	AS-011-39-22
Walnut	AS-012-39-22
Mahogany Wood	AS-013-39-22
Light Beige	AS-014-39-22
Mink	AS-015-39-22
Black - RAL 9005	AS-016-39-22
Ash Black	AS-017-39-22
Champagne	AS-018-39-22
Dark Beige - RAL 1019	AS-019-39-22

## Product Features

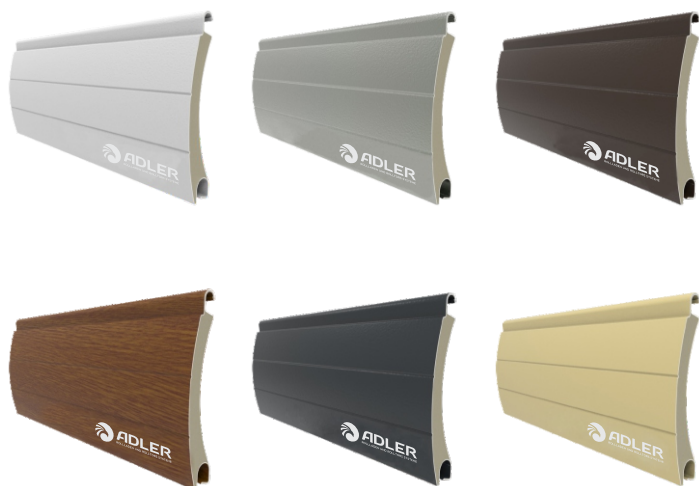
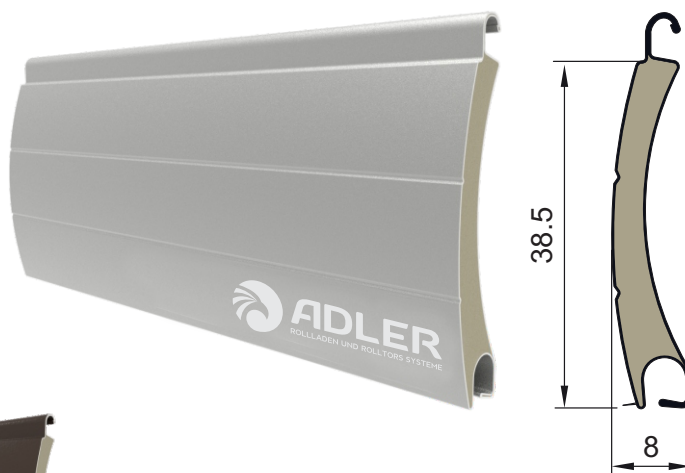
Weight per meter	0,085 kg
Weight per square meter	2.132 kg
Number of slats per one meter height	25.90 pieces
Maximum recommended width	2.500 mm
Maximum recommended height	2.300 mm
Standard manufacturing length	6.500 mm
<b>Packaging</b>	
Package contents (pcs)	60 (390 m)
Package size 	190x90x6500mm

	<b>Height (m) / Pipe diameter</b>	1	1,25	1,50	1,75	2	2,25	2,50	2,75	3	3,25	3,50
	40 Ø	11	12,5	13	14	15	15,5	16,5	17	17,5	18	18,5
	60 Ø	13	13,5	14	14,5	15	16	17	17	18	18,5	19
	60 Ø + bracelet lock		14,5	15	15,5	16,5	17	18	19	19,5	20	20,5




# SLATS 39mm-smart

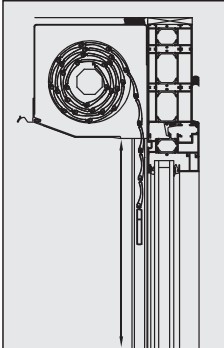
Aluminium slats with Polyurethane



## COLORS OF SLATS

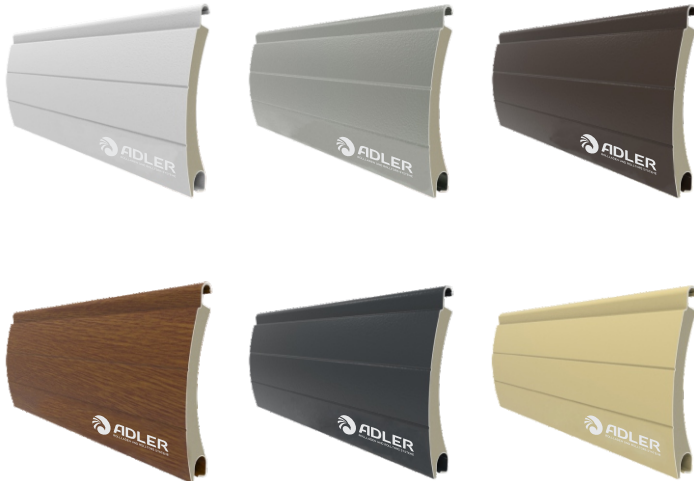
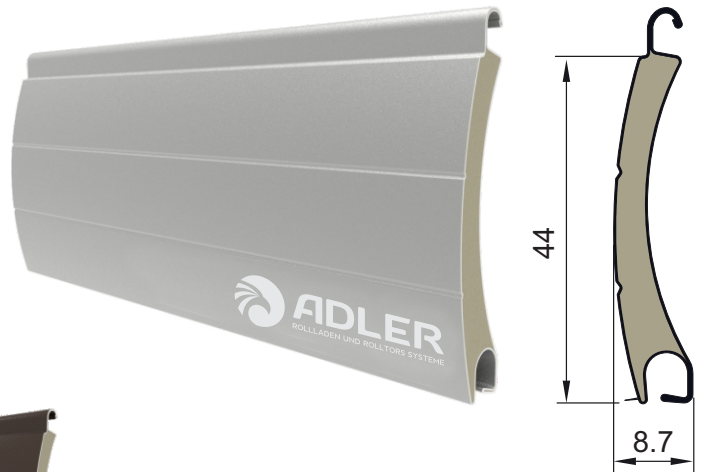
White - RAL 9016	AD-001-39-20
Metallic Grey - RAL 9006	AD-002-39-20
Brown - RAL 8014	AD-003-39-20
Brown - RAL 8017	AD-007-39-20
Brown - RAL 8019	AD-008-39-20
Anthracite Grey - RAL 7016	AD-004-39-20
Light Ivory - RAL 1013	AD-005-39-20
Golden Oak	AD-006-39-20
Dark Wood	AD-009-39-20
Bronz	AD-010-39-20
Hazelnut	AD-011-39-20
Walnut	AD-012-39-20
Mahagony Wood	AD-013-39-20
Light Beige	AD-014-39-20
Mink	AD-015-39-20
Black - RAL 9005	AD-016-39-20
Ash Black	AD-017-39-20
Champagne	AD-018-39-20
Dark Beige - RAL 1019	AD-019-39-20

Product Features	
Weight per meter	0,082 kg
Weight per square meter	2.002 kg
Number of slats per one meter height	25.90 pieces
Maximum recommended width	2.500 mm
Maximum recommended height	2.300 mm
Standard manufacturing length	6.500 mm
Packaging	
Package contents (pcs)	60 (390 m)
Package size 	190x90x6500mm

	Height (m) / Pipe diameter	1	1,25	1,50	1,75	2	2,25	2,50	2,75	3	3,25	3,50
	40 Ø	11	12,5	13	14	15	15,5	16,5	17	17,5	18	18,5
	60 Ø	13	13,5	14	14,5	15	16	17	17	18	18,5	19
	60 Ø + bracelet lock		14,5	15	15,5	16,5	17	18	19	19,5	20	20,5

# SLATS 45mm

Aluminium slats with Polyurethane



## COLORS OF SLATS

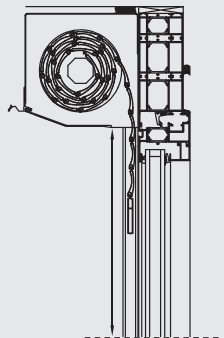
White - RAL 9016	AS-001-45-24
Metallic Grey - RAL 9006	AS-002-45-24
Brown - RAL 8014	AS-003-45-24
Brown - RAL 8017	AS-007-45-24
Brown - RAL 8019	AS-008-45-24
Anthracite Grey - RAL 7016	AS-004-45-24
Light Ivory - RAL 1013	AS-005-45-24
Golden Oak	AS-006-45-24
Dark Wood	AS-009-45-24
Bronz	AS-010-45-24
Hazelnut	AS-011-45-24
Walnut	AS-012-45-24
Mahogany Wood	AS-013-45-24
Light Beige	AS-014-45-24
Mink	AS-015-45-24
Black - RAL 9005	AS-016-45-24
Ash Black	AS-017-45-24
Champagne	AS-018-45-24
Dark Beige - RAL 1019	AS-019-45-24

## Product Features

Weight per meter	0,107 kg
Weight per square meter	2.45 kg
Number of slats per one meter height	22.727 pieces
Maximum recommended width	2.700 mm
Maximum recommended height	2.600 mm
Standard manufacturing length	6.500 mm

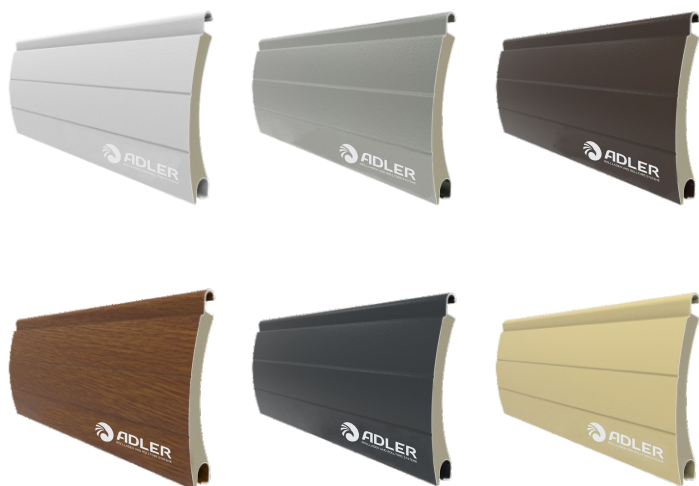
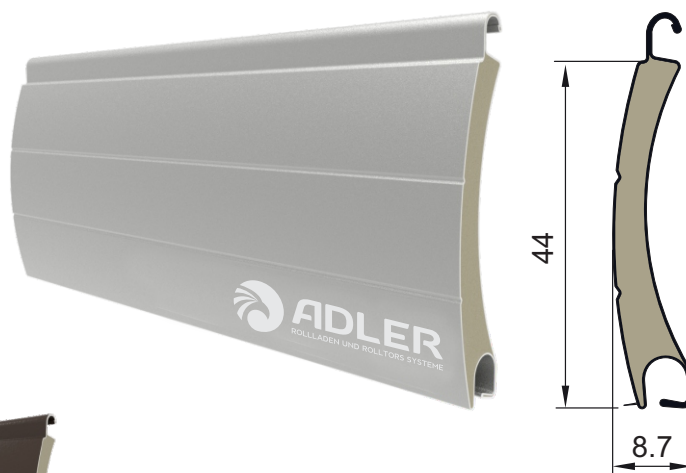
## Packaging

Package contents (pcs)	60 (390 m)
Package size 	190x90x6500mm

	<b>Height (m) / Pipe diameter</b>	1	1,25	1,50	1,75	2	2,25	2,50	2,75	3	3,25	3,50
	40 Ø	13	13,8	14	16	16	16,6	17	18	18,5	19	20
	60 Ø	13	13,8	14	16	16	16,6	17	18	18,5	19	20
	60 Ø + bracelet lock											

## SLATS 45mm-smart

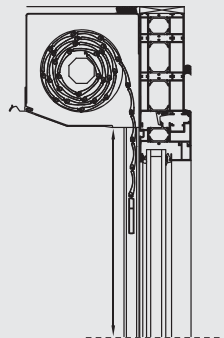
Aluminium slats with Polyurethane



### COLORS OF SLATS

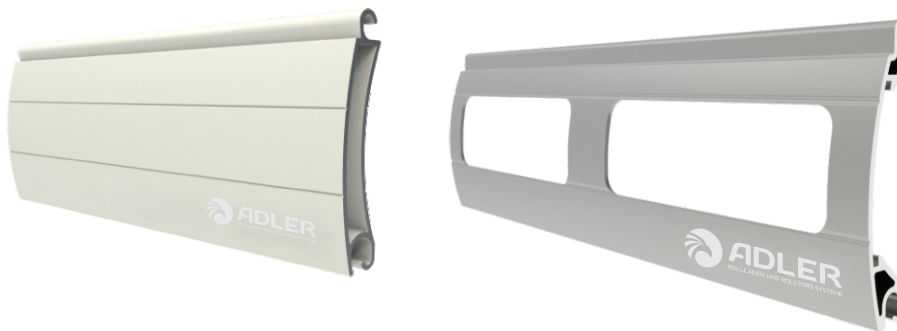
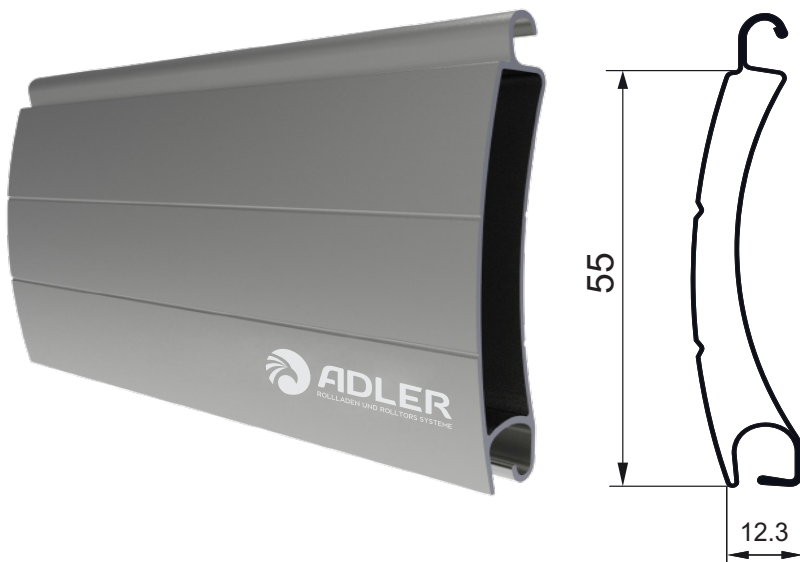
White - RAL 9016	AS-001-44-22
Metallic Grey - RAL 9006	AS-002-44-22
Brown - RAL 8014	AS-003-44-22
Brown - RAL 8017	AS-007-44-22
Brown - RAL 8019	AS-008-44-22
Anthracite Grey - RAL 7016	AS-004-44-22
Light Ivory - RAL 1013	AS-005-44-22
Golden Oak	AS-006-44-22
Dark Wood	AS-009-44-22
Bronz	AS-010-44-22
Hazelnut	AS-011-44-22
Walnut	AS-012-44-22
Mahagony Wood	AS-013-44-22
Light Beige	AS-014-44-22
Mink	AS-015-44-22
Black - RAL 9005	AS-016-44-22
Ash Black	AS-017-44-22
Champagne	AS-018-44-22
Dark Beige - RAL 1019	AS-019-44-22

Product Features	
Weight per meter	0,107 kg
Weight per square meter	2.45 kg
Number of slats per one meter height	22.727 pieces
Maximum recommended width	2.700 mm
Maximum recommended height	2.600 mm
Standard manufacturing length	6.500 mm
Packaging	
Package contents (pcs)	60 (390 m)
Package size	190x90x6500mm

 Height (m) / Pipe diameter	1	1,25	1,50	1,75	2	2,25	2,50	2,75	3	3,25	3,50	
	40 Ø	13	13,8	14	16	16	16,6	17	18	18,5	19	20
	60 Ø	13	13,8	14	16	16	16,6	17	18	18,5	19	20
	60 Ø + bracelet lock											

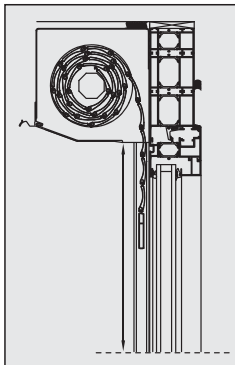
# SLATS 55mm

## Aluminium Extruded Slats



Product Features	
Weight per meter	0,310 kg
Weight per square meter	5.64 kg
Number of slats per one meter height	18.8 pieces
Maximum recommended width	4.500 mm
Maximum recommended height	3.000 mm
Standard manufacturing length	6.500 mm
Packaging	
Package contents (pcs)	5 (32.5 m)
Package size	190x90x6500mm

COLORS OF SLATS	
White - RAL 9016	AX-001-55-080
Metallic Grey - RAL 9006	AX-002-55-080
Brown - RAL 8014	AX-003-55-080
Brown - RAL 8017	AX-007-55-080
Brown - RAL 8019	AX-008-55-080
Anthracite Grey - RAL 7016	AX-004-55-080
Light Ivory - RAL 1013	AX-005-55-080
White - RAL 9016	AX-001-55-OPN
Metallic Grey - RAL 9006	AX-002-55-OPN
Brown - RAL 8014	AX-003-55-OPN
Brown - RAL 8017	AX-007-55-OPN
Brown - RAL 8019	AX-008-55-OPN
Anthracite Grey - RAL 7016	AX-004-55-OPN
Light Ivory - RAL 1013	AX-005-55-OPN

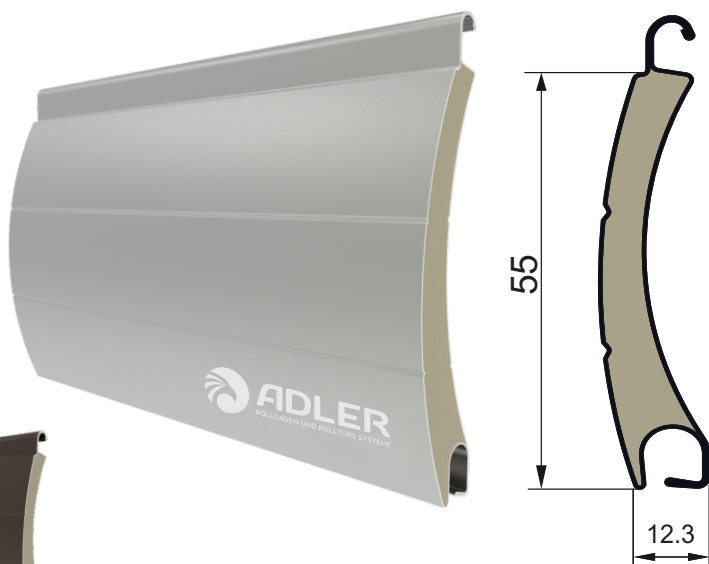
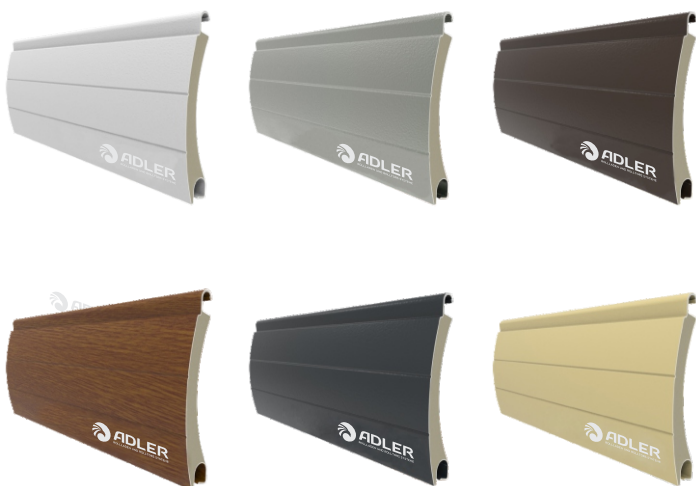


Height (m) / Pipe diameter	1	1,25	1,50	1,75	2	2,25	2,50	2,75	3	3,25	3,50
40 Ø											
60 Ø	15	17	18	19,5	21	21	21,5	22,5	23,5	24,5	25
60 Ø + bracelet lock											




# SLATS 55mm

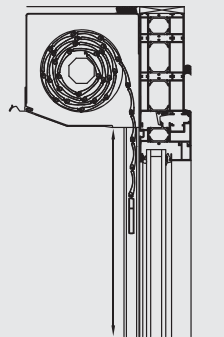
Aluminium slats with Polyurethane



## COLORS OF SLATS

White - RAL 9016	AD-001-55-25
Metallic Grey - RAL 9006	AD-002-55-25
Brown - RAL 8014	AD-003-55-25
Brown - RAL 8017	AD-007-55-25
Brown - RAL 8019	AD-008-55-25
Anthracite Grey - RAL 7016	AD-004-55-25
Light Ivory - RAL 1013	AD-005-55-25
Golden Oak	AD-006-55-25
Dark Wood	AD-009-55-25
Bronz	AD-010-55-25
Hazelnut	AD-011-55-25
Walnut	AD-012-55-25
Mahagony Wood	AD-013-55-25
Light Beige	AD-014-55-25
Mink	AD-015-55-25
Black - RAL 9005	AD-016-55-25
Ash Black	AD-017-55-25
Champagne	AD-018-55-25
Dark Beige - RAL 1019	AD-019-55-25

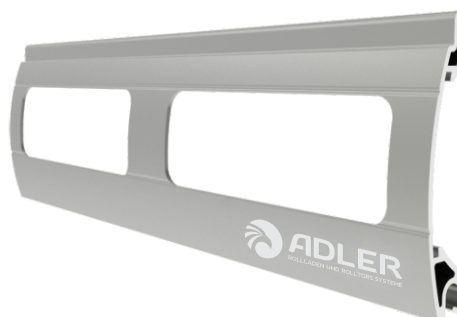
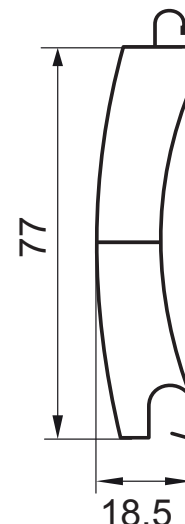
Product Features	
Weight per meter	0,140 kg
Weight per square meter	2.50 kg
Number of slats per one meter height	17.857 pieces
Maximum recommended width	4.500 mm
Maximum recommended height	3.000 mm
Standard manufacturing length	6.500 mm
Packaging	
Package contents (pcs)	30 (195 m)
Package size 	190x90x6500mm


	Height (m) / Pipe diameter	1	1,25	1,50	1,75	2	2,25	2,50	2,75	3	3,25	3,50
	40 Ø	11	12,5	14	15	15,5	16,5	17	17,5	18,5	18	18,5
	60 Ø	13	13,5	14,5	15	16	17	17	18	18,5	18,5	19
	60 Ø + bracelet lock		14,5	15	15,5	16,5	17	18	19,5	19	20	20,5



# SLATS 77mm

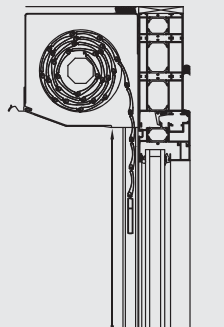
## Aluminium Extruded Slats



Product Features	
Weight per meter	0,538 kg
Weight per square meter	7.00 kg
Number of slats per one meter height	13 pieces
Maximum recommended width	7,000 mm
Maximum recommended height	5.000 mm
Standard manufacturing length	6.500 mm
Packaging	
Package contents (pcs)	5 (32.5 m)
Package size 	190x90x6500mm

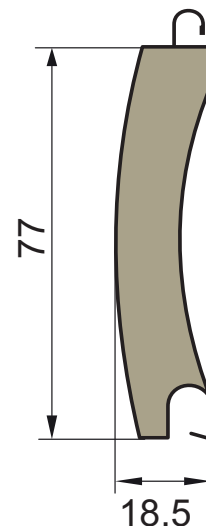
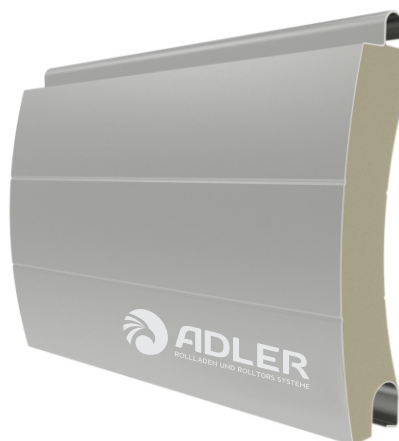
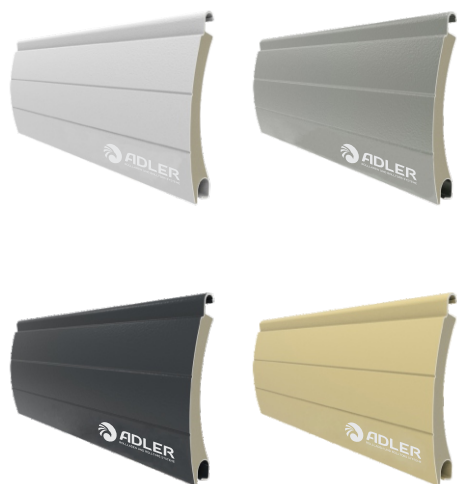
### COLORS OF SLATS


White - RAL 9016	AX-001-77-080
Metallic Grey - RAL 9006	AX-002-77-080
Brown - RAL 8014	AX-003-77-080
Brown - RAL 8017	AX-007-77-080
Brown - RAL 8019	AX-008-77-080
Anthracite Grey - RAL 7016	AX-004-77-080
Light Ivory - RAL 1013	AX-005-77-080
White - RAL 9016	AX-001-77-OPN
Metallic Grey - RAL 9006	AX-002-77-OPN
Brown - RAL 8014	AX-003-77-OPN
Brown - RAL 8017	AX-007-77-OPN
Brown - RAL 8019	AX-008-77-OPN
Anthracite Grey - RAL 7016	AX-004-77-OPN
Light Ivory - RAL 1013	AX-005-77-OPN

 Height (m) / Pipe diameter	2,5	2,75	3	3,25	3,5	3,75	4	4,25	4,5	4,75	5
	70 Ø	26	27,5	28	29,6	30,5	31	32,5	33	34	34,5
102 Ø	27	27	29,5	30	30,5	32	32	33,5	33,5	35,5	36
114 Ø - 159 Ø	28	29	29	30,5	31	32	32,7	33,5	34	35,5	36

# SLATS 77mm

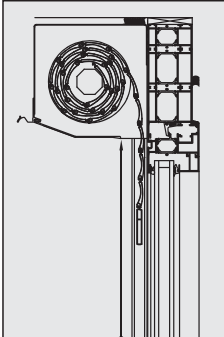
Aluminium slats with Polyurethane



Product Features	
Weight per meter	0,300 kg
Weight per square meter	5.40 kg
Number of slats per one meter height	13 pieces
Maximum recommended width	5.700 mm
Maximum recommended height	4.250 mm
Standard manufacturing length	6.500 mm
Packaging	
Package contents (pcs)	10 (65 m)
Package size	90x90x6500mm 

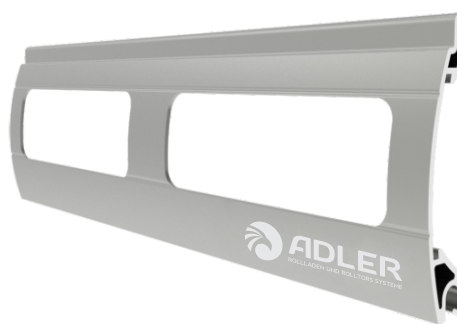
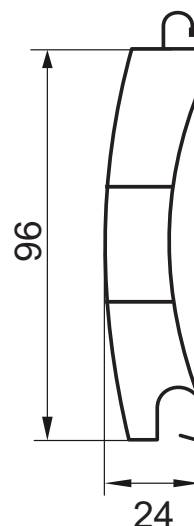
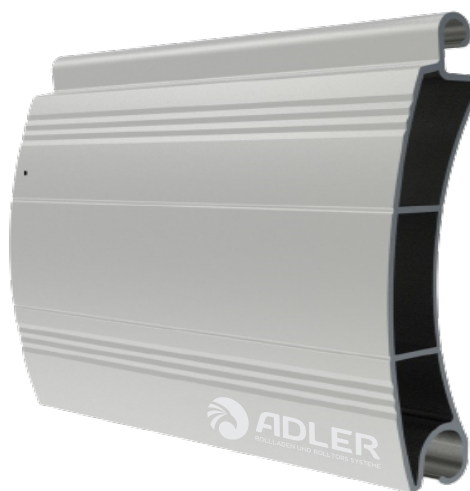
## COLORS OF SLATS

White - RAL 9016	AD-001-77-45
Metallic Grey - RAL 9006	AD-002-77-45
Brown - RAL 8014	AD-003-77-45
Anthracite Grey - RAL 7016	AD-004-77-45
Light Ivory - RAL 1013	AD-005-77-45
Golden Oak	AD-006-77-45


 Height (m) / Pipe diameter	2	2,25	2,50	2,75	3	3,25	3,50	3,75	4	4,25	4,50
	70 Ø	24	24,5	24,5	26	28	29,5	30,5	31	31,5	32
102 Ø	24	24,5	24,5	26	28	29,5	30,5	31	31,5	32	33

# SLATS 100mm

## Aluminium Extruded Slats

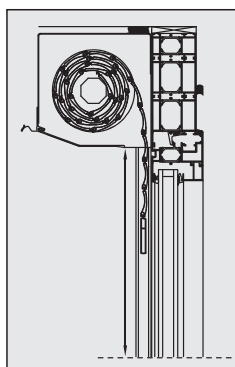


### Product Features

Weight per meter	0,886 kg
Weight per square meter	11,754 kg
Number of slats per one meter height	10,416 pieces
Maximum recommended width	8500 mm
Maximum recommended height	6000 mm
Standard manufacturing length	6.500 mm
<b>Packaging</b>	
Package contents (pcs)	5 (32.5 m)
Package size 	190x90x6500mm

### COLORS OF SLATS

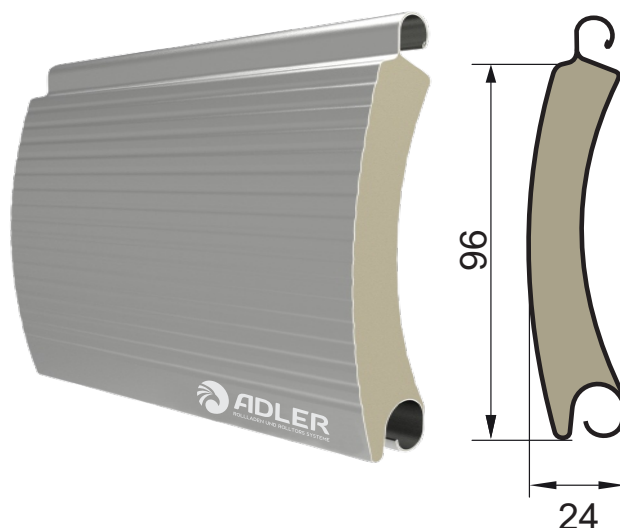
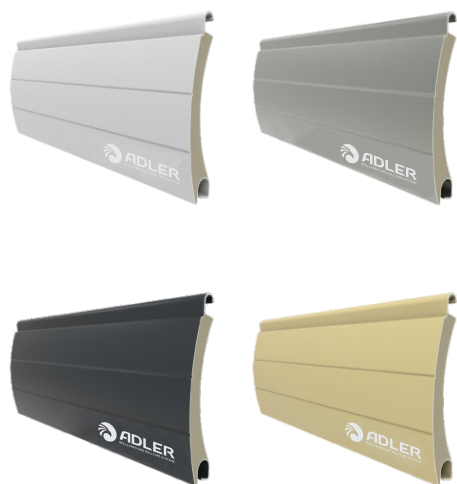
White - RAL 9016	AX-001-100-080
Metallic Grey - RAL 9006	AX-002-100-080
Brown - RAL 8014	AX-003-100-080
Brown - RAL 8017	AX-007-100-080
Brown - RAL 8019	AX-008-100-080
Anthracite Grey - RAL 7016	AX-004-100-080
Light Ivory - RAL 1013	AX-005-100-080
White - RAL 9016	AX-001-100-OPN
Metallic Grey - RAL 9006	AX-002-100-OPN
Brown - RAL 8014	AX-003-100-OPN
Brown - RAL 8017	AX-007-100-OPN
Brown - RAL 8019	AX-008-100-OPN
Anthracite Grey - RAL 7016	AX-004-100-OPN
Light Ivory - RAL 1013	AX-005-100-OPN



Height (m) / Pipe diameter	3,5	3,75	4	4,25	4,5	4,75	5	5,25	5,5	5,75	6
102 Ø	31	32,5	33	34	34,5	35,5	36	37	37,5	38,5	39

# SLATS 100mm

Aluminium slats with Polyurethane



Product Features	
Weight per meter	0,500 kg
Weight per square meter	5.208 kg
Number of slats per one meter height	10.410 pieces
Maximum recommended width	7000 mm
Maximum recommended height	5000 mm
Standard manufacturing length	6.500 mm
Packaging	
Package contents (pcs)	10 (65 m)
Package size	90x90x6500mm

## COLORS OF SLATS

White - RAL 9016	AD-001-100-48
Metallic Grey - RAL 9006	AD-002-100-48
Brown - RAL 8014	AD-003-100-48
Anthracite Grey - RAL 7016	AD-004-100-48
Light Ivory - RAL 1013	AD-005-100-48
Golden Oak	AD-006-100-48

Height (m) / Pipe diameter	Height (m) / Pipe diameter											
	3	3,25	3,50	3,75	4	4,25	4,50	4,75	5	5,25	5,50	
89Ø - 102Ø - 114Ø	29,5	32	32	32	34	34	36	36	38	38	39,5	
159 Ø	30,5	33	33	34	35	36	37	38	39	39,5	40	



# ALUMINIUM BOXES





SUN PROTECTION



GLARE PROTECTION



PRIVACY PROTECTION



LIGHT CONTROL



ENERGY SAVING



COLD AND THERMAL  
INSULATION

# ALUMINIUM BOXES

## 45°



SUN PROTECTION



GLARE PROTECTION



PRIVACY PROTECTION



LIGHT CONTROL

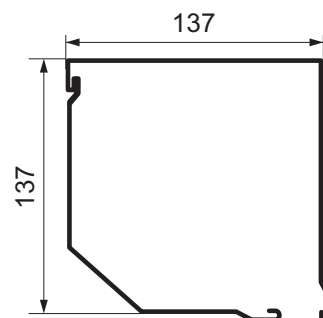
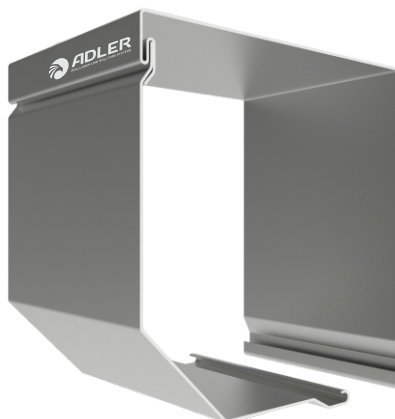


ENERGY SAVING



COLD AND THERMAL  
INSULATION

# 45° BOX 137mm

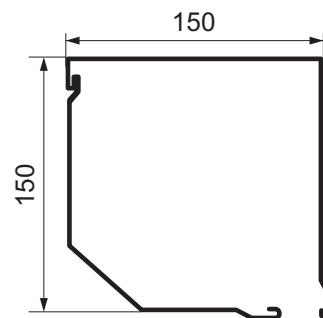
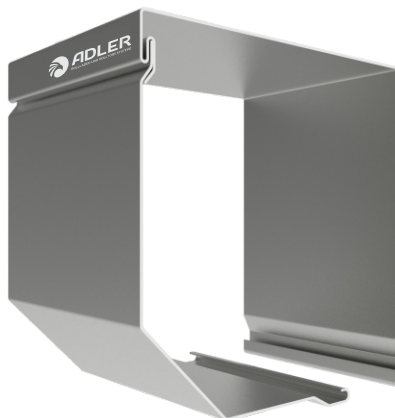


## COLORS OF BOXES

White - RAL 9016	BX-137-01-45
Metallic Grey - RAL 9006	BX-137-02-45
Brown - RAL 8014	BX-137-03-45
Brown - RAL 8017	BX-137-07-45
Brown - RAL 8019	BX-137-08-45
Anthracite Grey - RAL 7016	BX-137-04-45
Light Ivory - RAL 1013	BX-137-05-45
Golden Oak	BX-137-06-45
Dark Wood	BX-137-09-45
Bronz	BX-137-10-45
Hazelnut	BX-137-11-45
Walnut	BX-137-12-45
Mahagony Wood	BX-137-13-45
Light Beige	BX-137-14-45
Mink	BX-137-15-45
Black - RAL 9005	BX-137-16-45
Ash Black	BX-137-17-45
Champagne	BX-137-18-45
Dark Beige - RAL 1019	BX-137-19-45

Product Features	
Weight per meter	0,980 kg
Maximum recommended width	2000 mm
Maximum recommended height	1500 mm
Standard manufacturing length	6.500 mm
Packaging	
Package contents (pcs)	5x65m (32.5 m)
Package size	140x185x6500mm

# 45° BOX 150mm

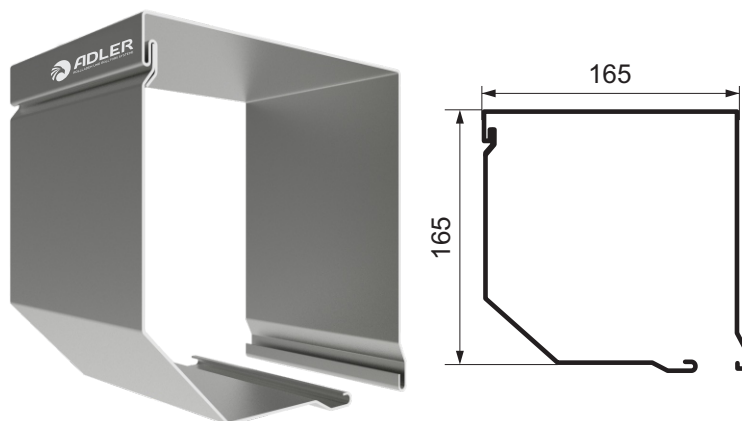


## COLORS OF BOXES

White - RAL 9016	BX-150-01-45
Metallic Grey - RAL 9006	BX-150-02-45
Brown - RAL 8014	BX-150-03-45
Brown - RAL 8017	BX-150-07-45
Brown - RAL 8019	BX-150-08-45
Anthracite Grey - RAL 7016	BX-150-04-45
Light Ivory - RAL 1013	BX-150-05-45
Golden Oak	BX-150-06-45

Product Features	
Weight per meter	1,040 kg
Maximum recommended width	2000 mm
Maximum recommended height	1700 mm
Standard manufacturing length	6.500 mm
Packaging	
Package contents (pcs)	5x6.5m (32.5 m)
Package size	140x185x6500mm

# 45° BOX 165mm



## COLORS OF BOXES

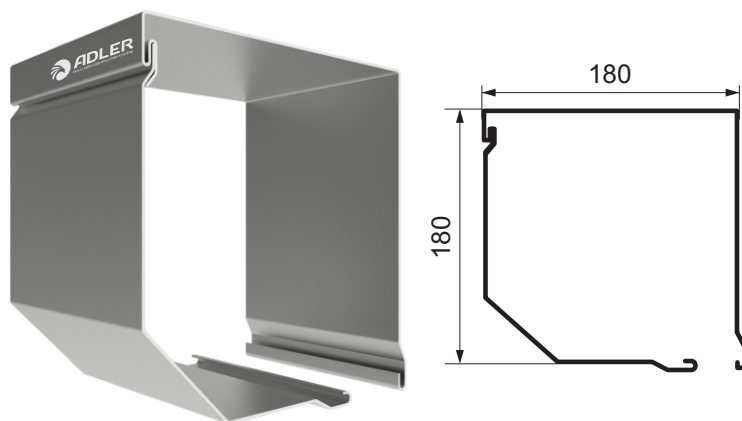
White - RAL 9016	BX-165-01-45
Metallic Grey - RAL 9006	BX-165-02-45
Brown - RAL 8014	BX-165-03-45
Brown - RAL 8017	BX-165-07-45
Brown - RAL 8019	BX-165-08-45
Anthracite Grey - RAL 7016	BX-165-04-45
Light Ivory - RAL 1013	BX-165-05-45
Golden Oak	BX-165-06-45
Dark Wood	BX-165-09-45
Bronz	BX-165-10-45
Hazelnut	BX-165-11-45
Walnut	BX-165-12-45
Mahogany Wood	BX-165-13-45
Light Beige	BX-165-14-45
Mink	BX-165-15-45
Black - RAL 9005	BX-165-16-45
Ash Black	BX-165-17-45
Champagne	BX-165-18-45
Dark Beige - RAL 1019	BX-165-19-45

## Product Features

Weight per meter	1,200 kg
Maximum recommended width	2500 mm
Maximum recommended height	2500 mm
Standard manufacturing length	6.500 mm
Packaging	
Package contents (pcs)	5x65m (32.5 m)
Package size	175x205x6500mm



# 45° BOX 180mm



## COLORS OF BOXES

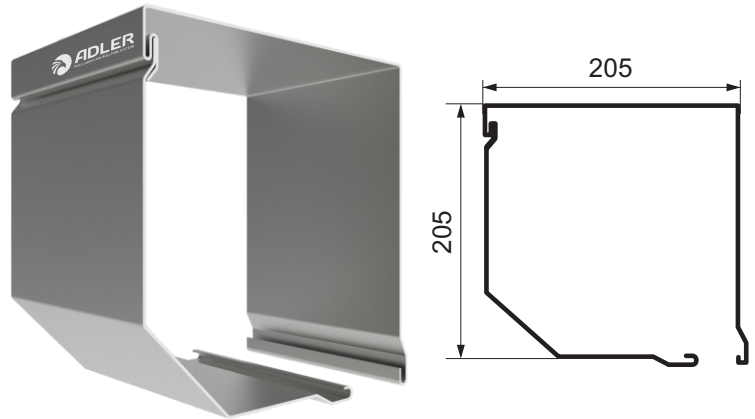
White - RAL 9016	BX-180-01-45
Metallic Grey - RAL 9006	BX-180-02-45
Brown - RAL 8014	BX-180-03-45
Brown - RAL 8017	BX-180-07-45
Brown - RAL 8019	BX-180-08-45
Anthracite Grey - RAL 7016	BX-180-04-45
Light Ivory - RAL 1013	BX-180-05-45
Golden Oak	BX-180-06-45

## Product Features

Weight per meter	1,300 kg
Maximum recommended width	2000 mm
Maximum recommended height	1700 mm
Standard manufacturing length	6.500 mm
Packaging	
Package contents (pcs)	5x6.5m (32.5 m)
Package size	190x225x6500mm



# 45° BOX 205mm

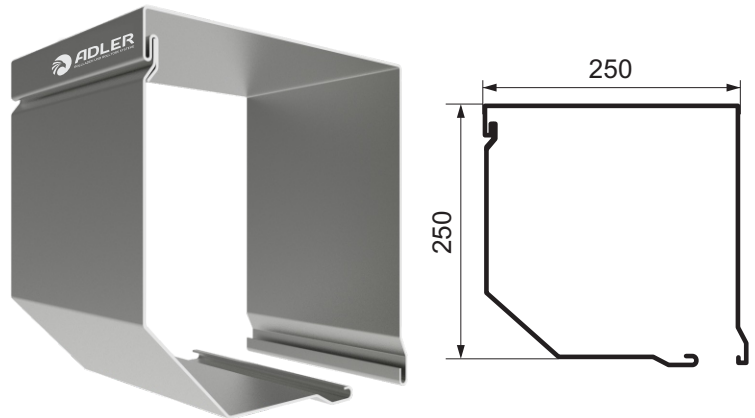


## COLORS OF BOXES

White - RAL 9016	BX-205-01-45
Metallic Grey - RAL 9006	BX-205-02-45
Brown - RAL 8014	BX-205-03-45
Brown - RAL 8017	BX-205-07-45
Brown - RAL 8019	BX-205-08-45
Anthracite Grey - RAL 7016	BX-205-04-45
Light Ivory - RAL 1013	BX-205-05-45
Golden Oak	BX-205-06-45

Product Features	
Weight per meter	1.500 kg
Maximum recommended width	2800 mm
Maximum recommended height	2800 mm
Standard manufacturing length	6.500 mm
Packaging	
Package contents (pcs)	5x65m (32.5 m)
Package size	215x230x6500mm

# 45° BOX 250mm



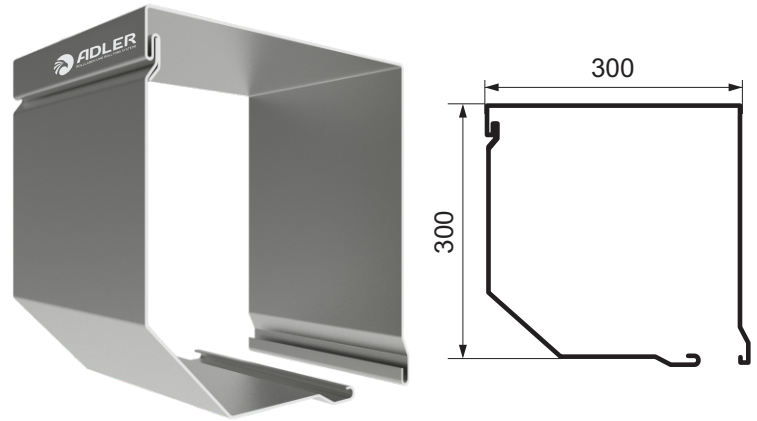
## COLORS OF BOXES

White - RAL 9016	BX-250-01-45
Metallic Grey - RAL 9006	BX-250-02-45
Brown - RAL 8014	BX-250-03-45
Brown - RAL 8017	BX-250-07-45
Brown - RAL 8019	BX-250-08-45
Anthracite Grey - RAL 7016	BX-250-04-45
Light Ivory - RAL 1013	BX-250-05-45
Golden Oak	BX-250-06-45

Product Features	
Weight per meter	2,300 kg
Maximum recommended width	3000 mm
Maximum recommended height	2900 mm
Standard manufacturing length	6.500 mm
Packaging	
Package contents (pcs)	5x6.5m (32.5 m)
Package size	260x295x6500mm



# 45° BOX 300mm

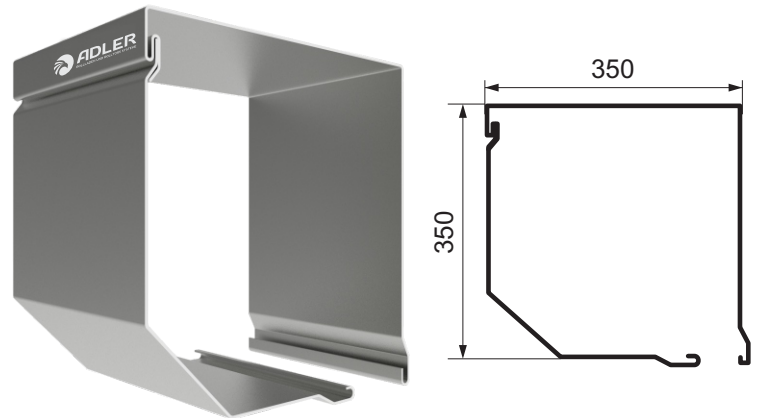


### COLORS OF BOXES

White - RAL 9016	BX-300-01-45
Metallic Grey - RAL 9006	BX-300-02-45
Brown - RAL 8014	BX-300-03-45
Brown - RAL 8017	BX-300-07-45
Brown - RAL 8019	BX-300-08-45
Anthracite Grey - RAL 7016	BX-300-04-45
Light Ivory - RAL 1013	BX-300-05-45
Golden Oak	BX-300-06-45

Product Features	
Weight per meter	2,900 kg
Maximum recommended width	5000 mm
Maximum recommended height	4000 mm
Standard manufacturing length	6.500 mm
Packaging	
Package contents (pcs)	5x65m (32.5 m)
Package size	310x345x6500mm

# 45° BOX 350mm



### COLORS OF BOXES

White - RAL 9016	BX-350-01-45
Metallic Grey - RAL 9006	BX-350-02-45
Brown - RAL 8014	BX-350-03-45
Brown - RAL 8017	BX-350-07-45
Brown - RAL 8019	BX-350-08-45
Anthracite Grey - RAL 7016	BX-350-04-45
Light Ivory - RAL 1013	BX-350-05-45
Golden Oak	BX-350-06-45

Product Features	
Weight per meter	3.300 kg
Maximum recommended width	6500 mm
Maximum recommended height	5000 mm
Standard manufacturing length	6.500 mm
Packaging	
Package contents (pcs)	5x6.5m (32.5 m)
Package size	360x395x6500mm



SUN PROTECTION



GLARE PROTECTION



PRIVACY PROTECTION



LIGHT CONTROL



ENERGY SAVING



COLD AND THERMAL  
INSULATION

# ALUMINIUM BOXES HALF ROUND



SUN PROTECTION



GLARE PROTECTION



PRIVACY PROTECTION



LIGHT CONTROL



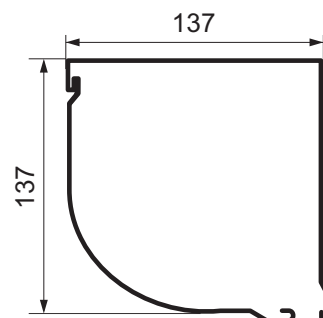
ENERGY SAVING



COLD AND THERMAL  
INSULATION



# HALF ROUND 137mm



## COLORS OF BOXES

White - RAL 9016	BX-137-01-HR
Metallic Grey - RAL 9006	BX-137-02-HR
Brown - RAL 8014	BX-137-03-HR
Brown - RAL 8017	BX-137-07-HR
Brown - RAL 8019	BX-137-08-HR
Anthracite Grey - RAL 7016	BX-137-04-HR
Light Ivory - RAL 1013	BX-137-05-HR
Golden Oak	BX-137-06-HR
Dark Wood	BX-137-09-HR
Bronz	BX-137-10-HR
Hazelnut	BX-137-11-HR
Walnut	BX-137-12-HR
Mahagony Wood	BX-137-13-HR
Light Beige	BX-137-14-HR
Mink	BX-137-15-HR
Black - RAL 9005	BX-137-16-HR
Ash Black	BX-137-17-HR
Champagne	BX-137-18-HR
Dark Beige - RAL 1019	BX-137-19-HR

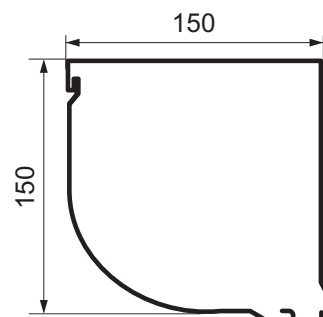
## Product Features

Weight per meter	0,980 kg
Maximum recommended width	2000 mm
Maximum recommended height	1500 mm
Standard manufacturing length	6.500 mm

## Packaging

Package contents (pcs)	5x65m (32.5 m)
Package size	140x185x6500mm

# HALF ROUND 150mm



## COLORS OF BOXES

White - RAL 9016	BX-150-01-HR
Metallic Grey - RAL 9006	BX-150-02-HR
Brown - RAL 8014	BX-150-03-HR
Brown - RAL 8017	BX-150-07-HR
Brown - RAL 8019	BX-150-08-HR
Anthracite Grey - RAL 7016	BX-150-04-HR
Ivory - RAL 1015	BX-150-05-HR
Golden Oak	BX-150-06-HR

## Product Features

Weight per meter	1,040 kg
Maximum recommended width	2000 mm
Maximum recommended height	1700 mm
Standard manufacturing length	6.500 mm

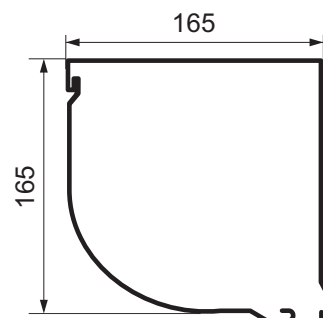
## Packaging

Package contents (pcs)	5x6.5m (32.5 m)
Package size	140x185x6500mm

# HALF ROUND 165mm

## COLORS OF BOXES

White - RAL 9016	BX-165-01-HR
Metallic Grey - RAL 9006	BX-165-02-HR
Brown - RAL 8014	BX-165-03-HR
Brown - RAL 8017	BX-165-07-HR
Brown - RAL 8019	BX-165-08-HR
Anthracite Grey - RAL 7016	BX-165-04-HR
Light Ivory - RAL 1013	BX-165-05-HR
Golden Oak	BX-165-06-HR
Dark Wood	BX-165-09-HR
Bronz	BX-165-10-HR
Hazelnut	BX-165-11-HR
Walnut	BX-165-12-HR
Mahogany Wood	BX-165-13-HR
Light Beige	BX-165-14-HR
Mink	BX-165-15-HR
Black - RAL 9005	BX-165-16-HR
Ash Black	BX-165-17-HR
Champagne	BX-165-18-HR
Dark Beige - RAL 1019	BX-165-19-HR

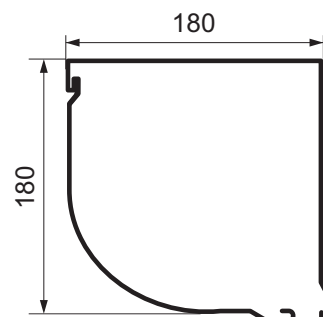
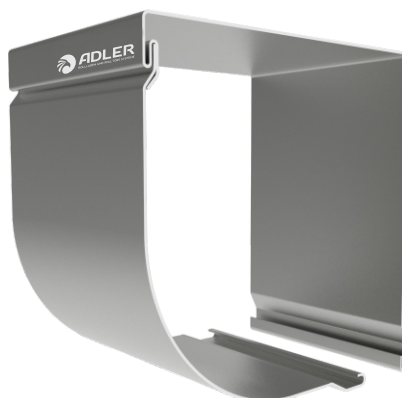


Product Features	
Weight per meter	1,200 kg
Maximum recommended width	2500 mm
Maximum recommended height	2500 mm
Standard manufacturing length	6.500 mm
Packaging	
Package contents (pcs)	5x65m (32.5 m)
Package size	175x205x6500mm

# HALF ROUND 180mm

## COLORS OF BOXES

White - RAL 9016	BX-180-01-HR
Metallic Grey - RAL 9006	BX-180-02-HR
Brown - RAL 8014	BX-180-03-HR
Brown - RAL 8017	BX-180-07-HR
Brown - RAL 8019	BX-180-08-HR
Anthracite Grey - RAL 7016	BX-180-04-HR
Light Ivory - RAL 1013	BX-180-05-HR
Golden Oak	BX-180-06-HR



Product Features	
Weight per meter	1,300 kg
Maximum recommended width	2000 mm
Maximum recommended height	1700 mm
Standard manufacturing length	6.500 mm
Packaging	
Package contents (pcs)	5x6.5m (32.5 m)
Package size	190x225x6500mm





SUN PROTECTION



GLARE PROTECTION



PRIVACY PROTECTION



LIGHT CONTROL



ENERGY SAVING



COLD AND THERMAL  
INSULATION

# ALUMINIUM BOXES ROUND



SUN PROTECTION



GLARE PROTECTION



PRIVACY PROTECTION



LIGHT CONTROL

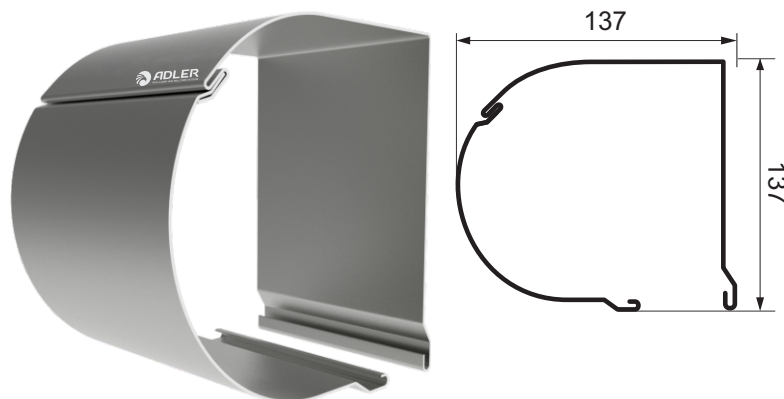


ENERGY SAVING



COLD AND THERMAL  
INSULATION

# ROUND 137mm



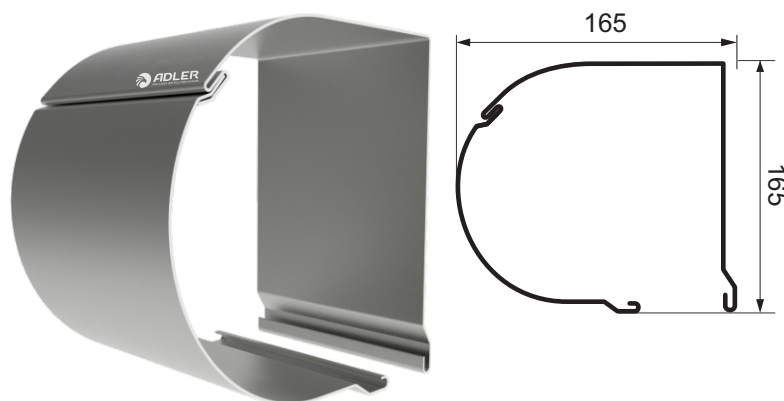
## COLORS OF BOXES

White - RAL 9016	BX-137-01-FR
Metallic Grey - RAL 9006	BX-137-02-FR
Brown - RAL 8014	BX-137-03-FR
Brown - RAL 8017	BX-137-07-FR
Brown - RAL 8019	BX-137-08-FR
Anthracite Grey - RAL 7016	BX-137-04-FR
Light Ivory - RAL 1013	BX-137-05-FR
Golden Oak	BX-137-06-FR

## Product Features

Weight per meter	0,980 kg
Maximum recommended width	2000 mm
Maximum recommended height	1500 mm
Standard manufacturing length	6.500 mm
Packaging	
Package contents (pcs)	5x65m (32.5 m)
Package size	140x185x6500mm

# ROUND 165mm



## COLORS OF BOXES

White - RAL 9016	BX-165-01-FR
Metallic Grey - RAL 9006	BX-165-02-FR
Brown - RAL 8014	BX-165-03-FR
Brown - RAL 8017	BX-165-07-FR
Brown - RAL 8019	BX-165-08-FR
Anthracite Grey - RAL 7016	BX-165-04-FR
Light Ivory - RAL 1013	BX-165-05-FR
Golden Oak	BX-165-06-FR

## Product Features

Weight per meter	1,040 kg
Maximum recommended width	2000 mm
Maximum recommended height	1700 mm
Standard manufacturing length	6.500 mm
Packaging	
Package contents (pcs)	5x6.5m (32.5 m)
Package size	140x185x6500mm



# ALUMINIUM BOXES 90° (INSIDE THE FACADE)



SUN PROTECTION



GLARE PROTECTION



PRIVACY PROTECTION



LIGHT CONTROL

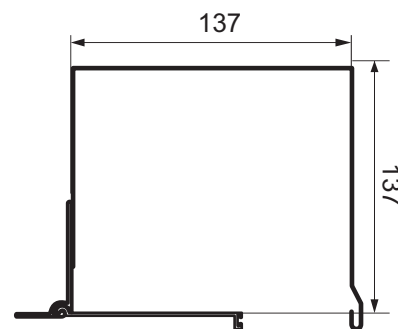
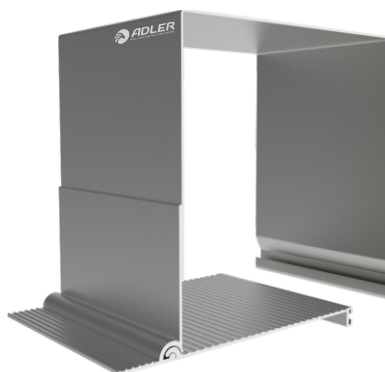


ENERGY SAVING



COLD AND THERMAL  
INSULATION

# 90° INSIDE THE FACADE 137mm



White - RAL 9016	FA-137-01-T
Metallic Grey - RAL 9006	FA-137-02-T
Brown - RAL 8014	FA-137-03-T
Brown - RAL 8017	FA-137-07-T
Brown - RAL 8019	FA-137-08-T
Anthracite Grey - RAL 7016	FA-137-04-T



FA-137-01-F	
FA-137-02-F	
FA-137-03-F	
FA-137-07-F	
FA-137-08-F	
FA-137-04-F	



FA-137-01-L	
FA-137-02-L	
FA-137-03-L	
FA-137-07-L	
FA-137-08-L	
FA-137-04-L	

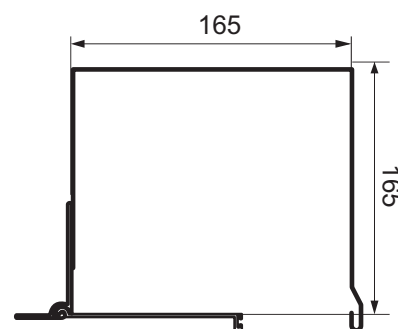
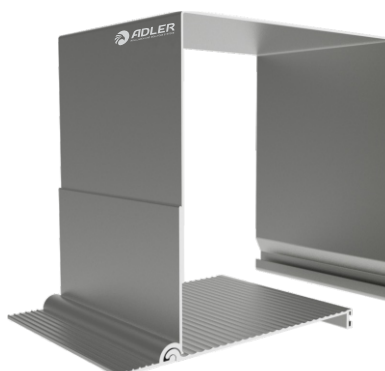


Product Features	
Weight per meter	0,700 kg
Maximum recommended width	2000 mm
Maximum recommended height	1500 mm
Standard manufacturing length	6.500 mm
Packaging	
Package contents (pcs)	5x6.5m (32.5 m)
Package size	140x100x6500mm

Product Features	
Weight per meter	0,510 kg
Maximum recommended width	2000 mm
Maximum recommended height	1500 mm
Standard manufacturing length	6.500 mm
Packaging	
Package contents (pcs)	5x6.5m (32.5 m)
Package size	140x60x6500mm

Product Features	
Weight per meter	0,370 kg
Maximum recommended width	2000 mm
Maximum recommended height	1500 mm
Standard manufacturing length	6.500 mm
Packaging	
Package contents (pcs)	5x6.5m (32.5 m)
Package size	40x120x6500mm

# 90° INSIDE THE FACADE 165mm



White - RAL 9016	FA-165-01-T
Metallic Grey - RAL 9006	FA-165-02-T
Brown - RAL 8014	FA-165-03-T
Brown - RAL 8017	FA-165-07-T
Brown - RAL 8019	FA-165-08-T
Anthracite Grey - RAL 7016	FA-165-04-T



FA-165-01-F	
FA-165-02-F	
FA-165-03-F	
FA-165-07-F	
FA-165-08-F	
FA-165-04-F	



FA-165-01-L	
FA-165-02-L	
FA-165-03-L	
FA-165-07-L	
FA-165-08-L	
FA-165-04-L	

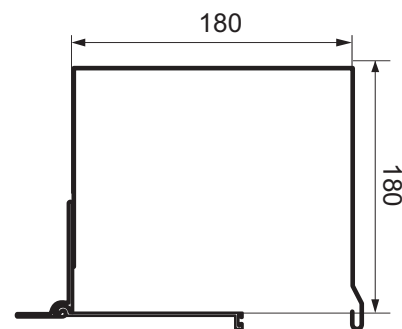
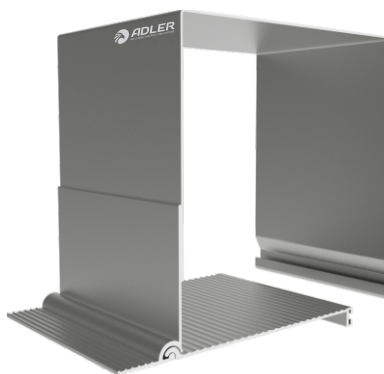


Product Features	
Weight per meter	0,820 kg
Maximum recommended width	2500 mm
Maximum recommended height	2400 mm
Standard manufacturing length	6.500 mm
Packaging	
Package contents (pcs)	5x6.5m (32.5 m)
Package size	170x100x6500mm

Product Features	
Weight per meter	0,670 kg
Maximum recommended width	2500 mm
Maximum recommended height	2400 mm
Standard manufacturing length	6.500 mm
Packaging	
Package contents (pcs)	5x6.5m (32.5 m)
Package size	170x60x6500mm

Product Features	
Weight per meter	0,370 kg
Maximum recommended width	2500 mm
Maximum recommended height	2400 mm
Standard manufacturing length	6.500 mm
Packaging	
Package contents (pcs)	5x6.5m (32.5 m)
Package size	40x120x6500mm

**90° INSIDE THE FACADE 180mm**



White - RAL 9016	FA-180-01-T
Metallic Grey - RAL 9006	FA-180-02-T
Brown - RAL 8014	FA-180-03-T
Brown - RAL 8017	FA-180-07-T
Brown - RAL 8019	FA-180-08-T
Anthracite Grey - RAL 7016	FA-180-04-T



FA-180-01-F
FA-180-02-F
FA-180-03-F
FA-180-07-F
FA-180-08-F
FA-180-04-F



FA-180-01-L
FA-180-02-L
FA-180-03-L
FA-180-07-L
FA-180-08-L
FA-180-04-L

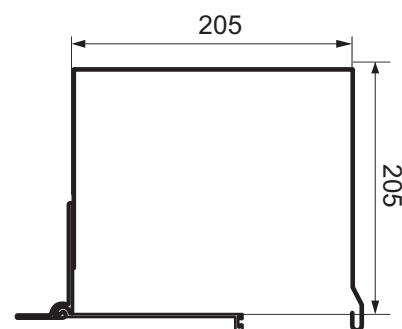


Product Features	
Weight per meter	0,910 kg
Maximum recommended width	3000 mm
Maximum recommended height	2800 mm
Standard manufacturing length	6.500 mm
Packaging	
Package contents (pcs)	5x6.5m (32.5 m)
Package size	190x100x6500mm

Product Features	
Weight per meter	0,710 kg
Maximum recommended width	3000 mm
Maximum recommended height	2800 mm
Standard manufacturing length	6.500 mm
Packaging	
Package contents (pcs)	5x6.5m (32.5 m)
Package size	190x60x6500mm

Product Features	
Weight per meter	0,370 kg
Maximum recommended width	3000 mm
Maximum recommended height	2800 mm
Standard manufacturing length	6.500 mm
Packaging	
Package contents (pcs)	5x6.5m (32.5 m)
Package size	40x120x6500mm

**90° INSIDE THE FACADE 205mm**



White - RAL 9016	FA-205-01-T
Metallic Grey - RAL 9006	FA-205-02-T
Brown - RAL 8014	FA-205-03-T
Brown - RAL 8017	FA-205-07-T
Brown - RAL 8019	FA-205-08-T
Anthracite Grey - RAL 7016	FA-205-04-T



FA-205-01-F
FA-205-02-F
FA-205-03-F
FA-205-07-F
FA-205-08-F
FA-205-04-F



FA-205-01-L
FA-205-02-L
FA-205-03-L
FA-205-07-L
FA-205-08-L
FA-205-04-L



Product Features	
Weight per meter	1,150 kg
Maximum recommended width	3200 mm
Maximum recommended height	3000 mm
Standard manufacturing length	6.500 mm
Packaging	
Package contents (pcs)	5x6.5m (32.5 m)
Package size	215x100x6500mm

Product Features	
Weight per meter	0,830 kg
Maximum recommended width	3200 mm
Maximum recommended height	3000 mm
Standard manufacturing length	6.500 mm
Packaging	
Package contents (pcs)	5x6.5m (32.5 m)
Package size	215x60x6500mm

Product Features	
Weight per meter	0,370 kg
Maximum recommended width	3200 mm
Maximum recommended height	3000 mm
Standard manufacturing length	6.500 mm
Packaging	
Package contents (pcs)	5x6.5m (32.5 m)
Package size	40x120x6500mm





SUN PROTECTION



GLARE PROTECTION



PRIVACY PROTECTION



LIGHT CONTROL



ENERGY SAVING



COLD AND THERMAL  
INSULATION

# ALUMINIUM END CAPS



SUN PROTECTION



GLARE PROTECTION



PRIVACY PROTECTION



LIGHT CONTROL

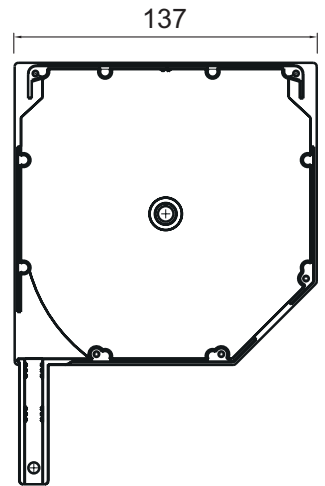


ENERGY SAVING



COLD AND THERMAL  
INSULATION

# 45° END CAPS 137mm



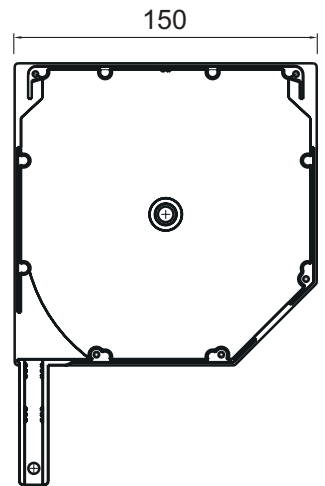
## COLORS OF BOXES

White - RAL 9016	EC-137-01-45
Metallic Grey - RAL 9006	EC-137-02-45
Brown - RAL 8014	EC-137-03-45
Brown - RAL 8017	EC-137-07-45
Brown - RAL 8019	EC-137-08-45
Anthracite Grey - RAL 7016	EC-137-04-45
Light Ivory - RAL 1013	EC-137-05-45
Light Beige	EC-137-14-45
Mink	EC-137-15-45
Black - RAL 9005	EC-137-16-45
Ash Black	EC-137-17-45
Champagne	EC-137-18-45
Dark Beige - RAL 1019	EC-137-19-45

## Product Features

Weight per pair	0,450 kg
<b>Packaging</b>	
Package contents (pcs)	50 pcs
Weight per package	23,300 kg
Package size	480x580x215 mm

# 45° END CAPS 150mm



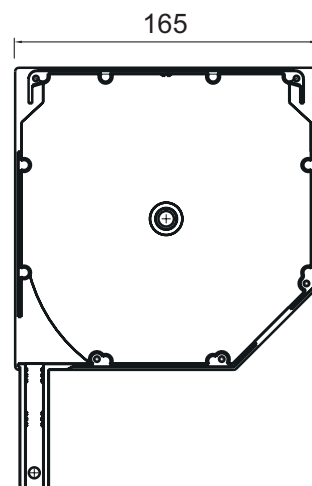
## COLORS OF BOXES

White - RAL 9016	EC-150-01-45
Metallic Grey - RAL 9006	EC-150-02-45
Brown - RAL 8014	EC-150-03-45
Brown - RAL 8017	EC-150-07-45
Brown - RAL 8019	EC-150-08-45
Anthracite Grey - RAL 7016	EC-150-04-45
Light Ivory - RAL 1013	EC-150-05-45
Light Beige	EC-150-14-45
Mink	EC-150-15-45
Black - RAL 9005	EC-150-16-45
Ash Black	EC-150-17-45
Champagne	EC-150-18-45
Dark Beige - RAL 1019	EC-150-19-45

## Product Features

Weight per pair	0,510 kg
<b>Packaging</b>	
Package contents (pcs)	50 pcs
Weight per package	26,300 kg
Package size	480x580x215 mm

# 45° END CAPS 165mm

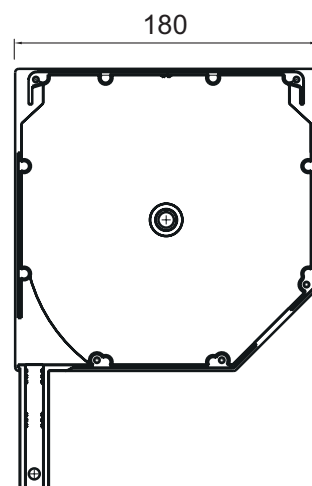


## COLORS OF END CAPSES

White - RAL 9016	EC-165-01-45
Metallic Grey - RAL 9006	EC-165-02-45
Brown - RAL 8014	EC-165-03-45
Brown - RAL 8017	EC-165-07-45
Brown - RAL 8019	EC-165-08-45
Anthracite Grey - RAL 7016	EC-165-04-45
Light Ivory - RAL 1013	EC-165-05-45
Light Beige	EC-165-14-45
Mink	EC-165-15-45
Black - RAL 9005	EC-165-16-45
Ash Black	EC-165-17-45
Champagne	EC-165-18-45
Dark Beige - RAL 1019	EC-165-19-45

Product Features	
Weight per pair	0,540 kg
Packaging	
Package contents (pcs)	50 pcs
Weight per package	27,800 kg
Package size	560x700x220 mm

# 45° END CAPS 180mm



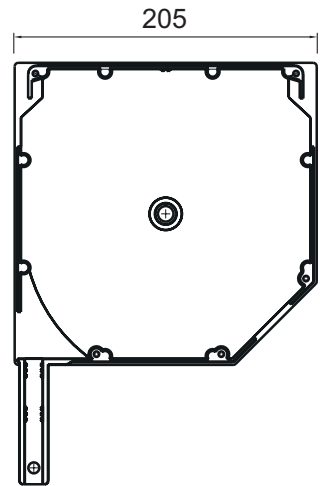
## COLORS OF END CAPSES

White - RAL 9016	EC-180-01-45
Metallic Grey - RAL 9006	EC-180-02-45
Brown - RAL 8014	EC-180-03-45
Brown - RAL 8017	EC-180-07-45
Brown - RAL 8019	EC-180-08-45
Anthracite Grey - RAL 7016	EC-180-04-45
Light Ivory - RAL 1013	EC-180-05-45
Light Beige	EC-180-14-45
Mink	EC-180-15-45
Black - RAL 9005	EC-180-16-45
Ash Black	EC-180-17-45
Champagne	EC-180-18-45
Dark Beige - RAL 1019	EC-180-19-45

Product Features	
Weight per pair	0,670 kg
Packaging	
Package contents (pcs)	50 pcs
Weight per package	34,400 kg
Package size	640x700x220 mm



# 45° END CAPS 205mm



## COLORS OF END CAPSES

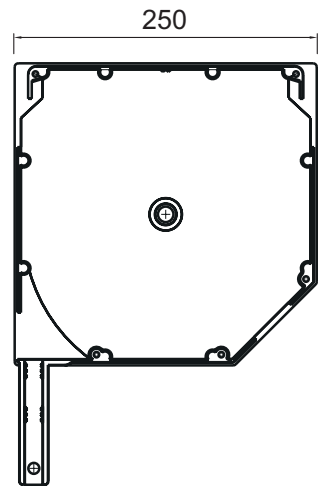
White - RAL 9016	EC-205-01-45
Metallic Grey - RAL 9006	EC-205-02-45
Brown - RAL 8014	EC-205-03-45
Brown - RAL 8017	EC-205-07-45
Brown - RAL 8019	EC-205-08-45
Anthracite Grey - RAL 7016	EC-205-04-45
Light Ivory - RAL 1013	EC-205-05-45
Light Beige	EC-205-14-45
Mink	EC-205-15-45
Black - RAL 9005	EC-205-16-45
Ash Black	EC-205-17-45
Champagne	EC-205-18-45
Dark Beige - RAL 1019	EC-205-19-45

## Product Features

Weight per pair	0,780 kg
<b>Packaging</b>	
Package contents (pcs)	50 pcs
Weight per package	39,100 kg
Package size	580x680x215 mm



# 45° END CAPS 250mm



## COLORS OF END CAPSES

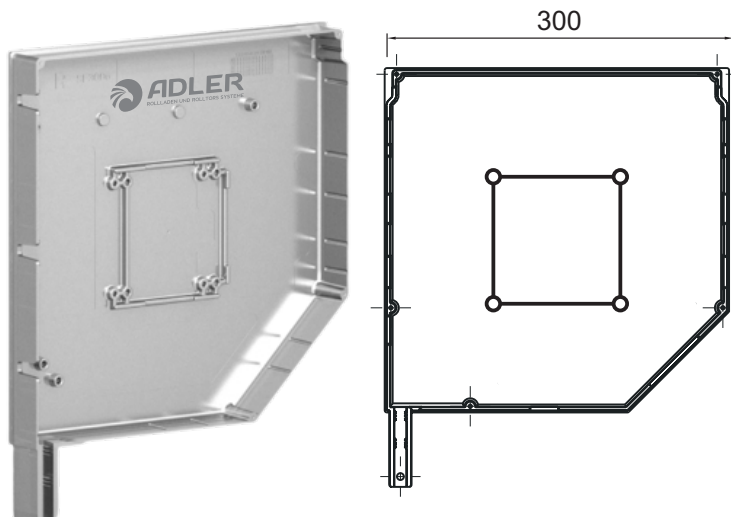
White - RAL 9016	EC-250-01-45
Metallic Grey - RAL 9006	EC-250-02-45
Brown - RAL 8014	EC-250-03-45
Brown - RAL 8017	EC-250-07-45
Brown - RAL 8019	EC-250-08-45
Anthracite Grey - RAL 7016	EC-250-04-45
Light Ivory - RAL 1013	EC-250-05-45
Light Beige	EC-250-14-45
Mink	EC-250-15-45
Garda	EC-250-16-45
Ash Black	EC-250-17-45
Champagne	EC-250-18-45
Dark Beige - RAL 1019	EC-250-19-45

## Product Features

Weight per pair	0,960 kg
<b>Packaging</b>	
Package contents (pcs)	50 pcs
Weight per package	48,100 kg
Package size	630x730x285 mm



# 45° END CAPS 300mm

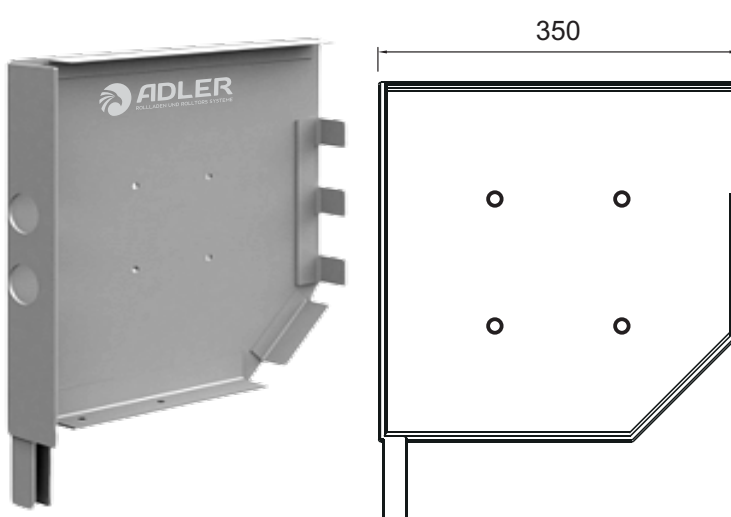


## COLORS OF END CAPSES

White - RAL 9016	EC-300-01-45
Metallic Grey - RAL 9006	EC-300-02-45
Brown - RAL 8014	EC-300-03-45
Brown - RAL 8017	EC-300-07-45
Brown - RAL 8019	EC-300-08-45
Anthracite Grey - RAL 7016	EC-300-04-45
Light Ivory - RAL 1013	EC-300-05-45
Light Beige	EC-300-14-45
Mink	EC-300-15-45
Black - RAL 9005	EC-300-16-45
Ash Black	EC-300-17-45
Champagne	EC-300-18-45
Dark Beige - RAL 1019	EC-300-19-45

Product Features	
Weight per pair	0,540 kg
Packaging	
Package contents (pcs)	20 pcs
Weight per package	27,800 kg
Package size	560x700x220 mm

# 45° END CAPS 350mm

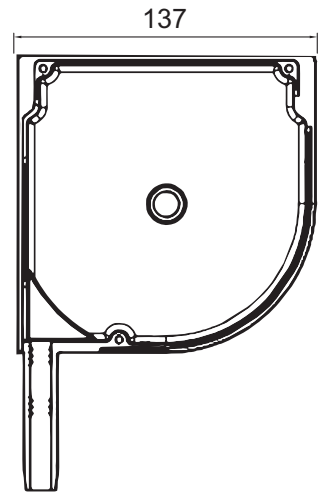


## COLORS OF END CAPSES

White - RAL 9016	EC-350-01-45
Metallic Grey - RAL 9006	EC-350-02-45
Brown - RAL 8014	EC-350-03-45
Brown - RAL 8017	EC-350-07-45
Brown - RAL 8019	EC-350-08-45
Anthracite Grey - RAL 7016	EC-350-04-45
Light Ivory - RAL 1013	EC-350-05-45
Light Beige	EC-350-14-45
Mink	EC-350-15-45
Black - RAL 9005	EC-350-16-45
Ash Black	EC-350-17-45
Champagne	EC-350-18-45
Dark Beige - RAL 1019	EC-350-19-45


Product Features	
Weight per pair	0,670 kg
Packaging	
Package contents (pcs)	50 pcs
Weight per package	34,400 kg
Package size	640x700x220 mm

# HALF ROUND END CAPS 137mm

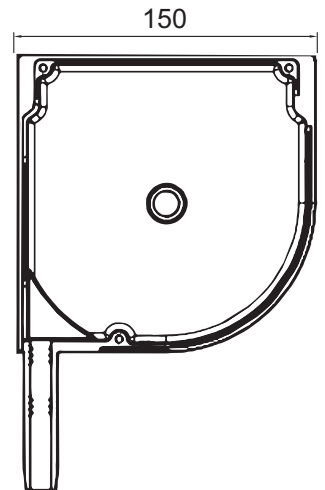


## COLORS OF END CAPSES

White - RAL 9016	EC-137-01-HR
Metallic Grey - RAL 9006	EC-137-02-HR
Brown - RAL 8014	EC-137-03-HR
Brown - RAL 8017	EC-137-07-HR
Brown - RAL 8019	EC-137-08-HR
Anthracite Grey - RAL 7016	EC-137-04-HR
Light Ivory - RAL 1013	EC-137-05-HR
Light Beige	EC-137-14-HR
Mink	EC-137-15-HR
Black - RAL 9005	EC-137-16-HR
Ash Black	EC-137-17-HR
Champagne	EC-137-18-HR
Dark Beige - RAL 1019	EC-137-19-HR


Product Features	
Weight per pair	0,450 kg
Packaging	
Package contents (pcs)	50 pcs
Weight per package	23,300 kg
Package size	480x580x215 mm 

# HALF ROUND END CAPS 150mm

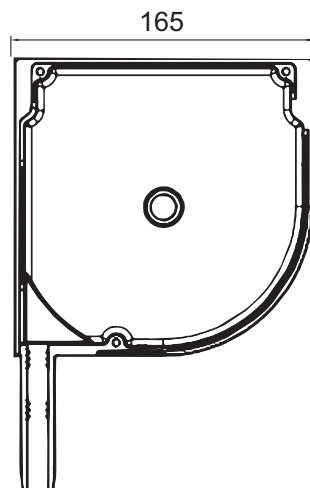


## COLORS OF END CAPSES

White - RAL 9016	EC-150-01-HR
Metallic Grey - RAL 9006	EC-150-02-HR
Brown - RAL 8014	EC-150-03-HR
Brown - RAL 8017	EC-150-07-HR
Brown - RAL 8019	EC-150-08-HR
Anthracite Grey - RAL 7016	EC-150-04-HR
Light Ivory - RAL 1013	EC-150-05-HR
Light Beige	EC-150-14-HR
Mink	EC-150-15-HR
Black - RAL 9005	EC-150-16-HR
Ash Black	EC-150-17-HR
Champagne	EC-150-18-HR
Dark Beige - RAL 1019	EC-150-19-HR

Product Features	
Weight per pair	0,510 kg
Packaging	
Package contents (pcs)	50 pcs
Weight per package	26,300 kg
Package size	480x580x215 mm 

# HALF ROUND END CAPS 165mm

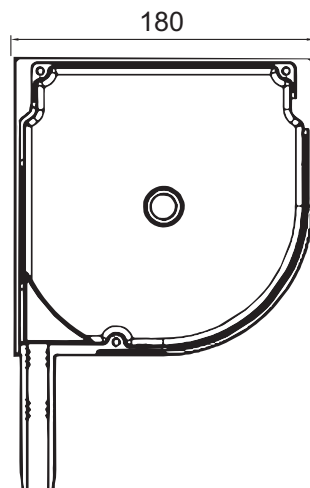


## COLORS OF END CAPSES

White - RAL 9016	EC-165-01-HR
Metallic Grey - RAL 9006	EC-165-02-HR
Brown - RAL 8014	EC-165-03-HR
Brown - RAL 8017	EC-165-07-HR
Brown - RAL 8019	EC-165-08-HR
Anthracite Grey - RAL 7016	EC-165-04-HR
Light Ivory - RAL 1013	EC-165-05-HR
Light Beige	EC-165-14-HR
Mink	EC-165-15-HR
Black - RAL 9005	EC-165-16-HR
Ash Black	EC-165-17-HR
Champagne	EC-165-18-HR
Dark Beige - RAL 1019	EC-165-19-HR

Product Features	
Weight per pair	0,540 kg
Packaging	
Package contents (pcs)	50 pcs
Weight per package	27,800 kg
Package size	560x700x220 mm

# HALF ROUND END CAPS 180mm

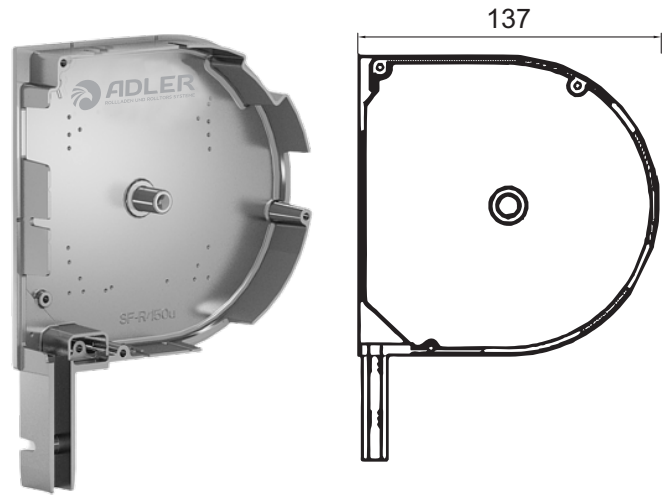


## COLORS OF END CAPSES

White - RAL 9016	EC-180-01-HR
Metallic Grey - RAL 9006	EC-180-02-HR
Brown - RAL 8014	EC-180-03-HR
Brown - RAL 8017	EC-180-07-HR
Brown - RAL 8019	EC-180-08-HR
Anthracite Grey - RAL 7016	EC-180-04-HR
Light Ivory - RAL 1013	EC-180-05-HR
Light Beige	EC-180-14-HR
Mink	EC-180-15-HR
Black - RAL 9005	EC-180-16-HR
Ash Black	EC-180-17-HR
Champagne	EC-180-18-HR
Dark Beige - RAL 1019	EC-180-19-HR


Product Features	
Weight per pair	0,670 kg
Packaging	
Package contents (pcs)	50 pcs
Weight per package	34,400 kg
Package size	640x700x220 mm

# ROUND END CAPS 137mm

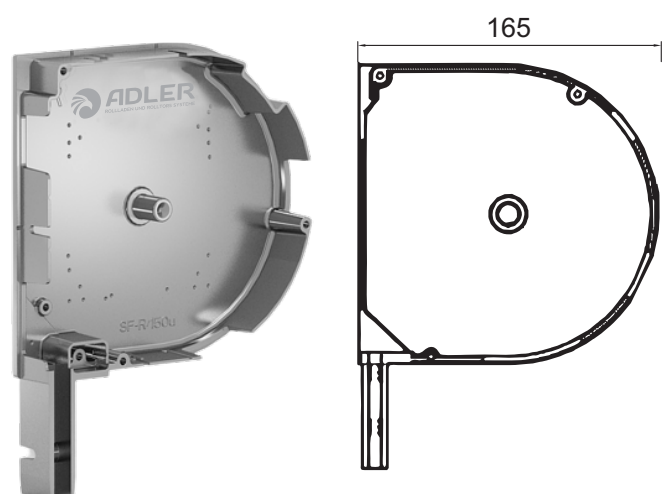


## COLORS OF END CAPSES

White - RAL 9016	EC-137-01-FR
Metallic Grey - RAL 9006	EC-137-02-FR
Brown - RAL 8014	EC-137-03-FR
Brown - RAL 8017	EC-137-07-FR
Brown - RAL 8019	EC-137-08-FR
Anthracite Grey - RAL 7016	EC-137-04-FR
Light Ivory - RAL 1013	EC-137-05-FR
Light Beige	EC-137-14-FR
Mink	EC-137-15-FR
Black - RAL 9005	EC-137-16-FR
Ash Black	EC-137-17-FR
Champagne	EC-137-18-FR
Dark Beige - RAL 1019	EC-137-19-FR


Product Features	
Weight per pair	0,450 kg
Packaging	
Package contents (pcs)	50 pcs
Weight per package	23,300 kg
Package size	480x580x215 mm 

# ROUND END CAPS 165mm



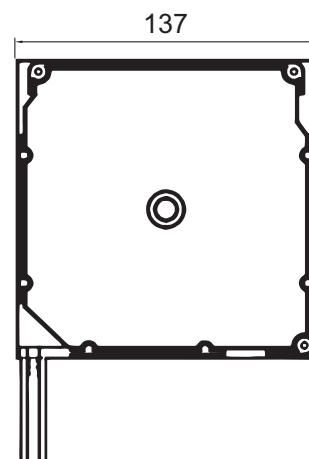
## COLORS OF END CAPSES

White - RAL 9016	EC-165-01-FR
Metallic Grey - RAL 9006	EC-165-02-FR
Brown - RAL 8014	EC-165-03-FR
Brown - RAL 8017	EC-165-07-FR
Brown - RAL 8019	EC-165-08-FR
Anthracite Grey - RAL 7016	EC-165-04-FR
Light Ivory - RAL 1013	EC-165-05-FR
Light Beige	EC-165-14-FR
Mink	EC-165-15-FR
Black - RAL 9005	EC-165-16-FR
Ash Black	EC-165-17-FR
Champagne	EC-165-18-FR
Dark Beige - RAL 1019	EC-165-19-FR

Product Features	
Weight per pair	0,510 kg
Packaging	
Package contents (pcs)	50 pcs
Weight per package	26,300 kg
Package size	480x580x215 mm 



# 90° END CAPS 137mm



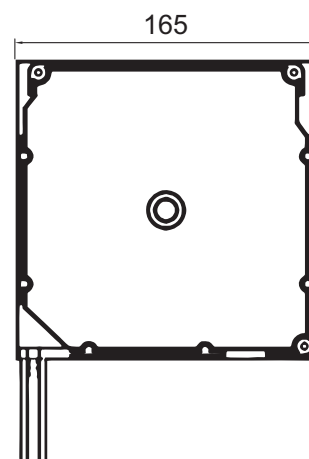
## COLORS OF END CAPSES

White - RAL 9016	EC-137-01-FA
Metallic Grey - RAL 9006	EC-137-02-FA
Brown - RAL 8014	EC-137-03-FA
Brown - RAL 8017	EC-137-07-FA
Brown - RAL 8019	EC-137-08-FA
Anthracite Grey - RAL 7016	EC-137-04-FA
Light Ivory - RAL 1013	EC-137-05-FA
Light Beige	EC-137-14-FA
Mink	EC-137-15-FA
Black - RAL 9005	EC-137-16-FA
Ash Black	EC-137-17-FA
Champagne	EC-137-18-FA
Dark Beige - RAL 1019	EC-137-19-FA

## Product Features

Weight per pair	0,450 kg
<b>Packaging</b>	
Package contents (pcs)	50 pcs
Weight per package	23,300 kg
Package size	480x580x215 mm

# 90° END CAPS 165mm



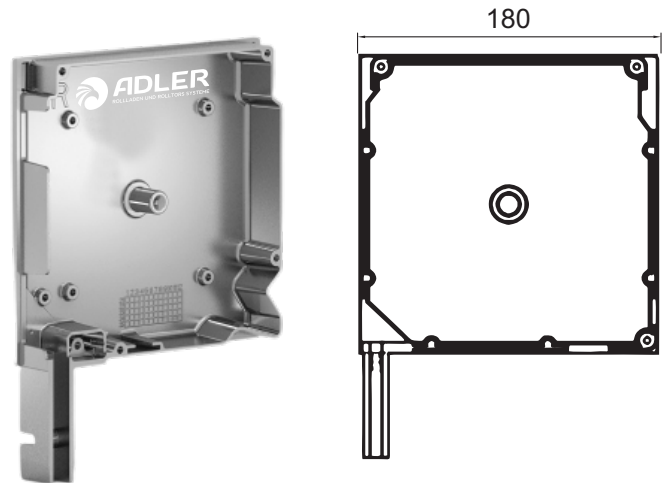
## COLORS OF END CAPSES

White - RAL 9016	EC-165-01-FA
Metallic Grey - RAL 9006	EC-165-02-FA
Brown - RAL 8014	EC-165-03-FA
Brown - RAL 8017	EC-165-07-FA
Brown - RAL 8019	EC-165-08-FA
Anthracite Grey - RAL 7016	EC-165-04-FA
Light Ivory - RAL 1013	EC-165-05-FA
Light Beige	EC-165-14-FA
Mink	EC-165-15-FA
Black - RAL 9005	EC-165-16-FA
Ash Black	EC-165-17-FA
Champagne	EC-165-18-FA
Dark Beige - RAL 1019	EC-165-19-FA

## Product Features

Weight per pair	0,510 kg
<b>Packaging</b>	
Package contents (pcs)	50 pcs
Weight per package	26,300 kg
Package size	480x580x215 mm

# 90° END CAPS 180mm

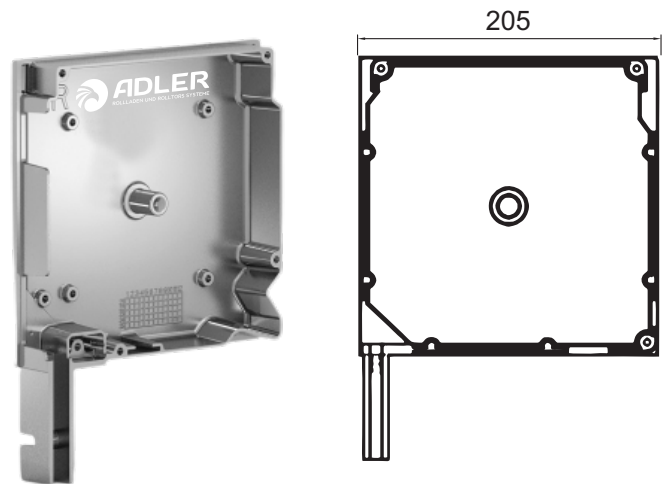


## COLORS OF END CAPSES

White - RAL 9016	EC-180-01-FA
Metallic Grey - RAL 9006	EC-180-02-FA
Brown - RAL 8014	EC-180-03-FA
Brown - RAL 8017	EC-180-07-FA
Brown - RAL 8019	EC-180-08-FA
Anthracite Grey - RAL 7016	EC-180-04-FA
Light Ivory - RAL 1013	EC-180-05-FA
Light Beige	EC-180-14-FA
Mink	EC-180-15-FA
Black - RAL 9005	EC-180-16-FA
Ash Black	EC-180-17-FA
Champagne	EC-180-18-FA
Dark Beige - RAL 1019	EC-180-19-FA

Product Features	
Weight per pair	0,670 kg
Packaging	
Package contents (pcs)	50 pcs
Weight per package	34,400 kg
Package size	640x700x220 mm

# 90° END CAPS 205mm



## COLORS OF END CAPSES

White - RAL 9016	EC-205-01-FA
Metallic Grey - RAL 9006	EC-205-02-FA
Brown - RAL 8014	EC-205-03-FA
Brown - RAL 8017	EC-205-07-FA
Brown - RAL 8019	EC-205-08-FA
Anthracite Grey - RAL 7016	EC-205-04-FA
Light Ivory - RAL 1013	EC-205-05-FA
Light Beige	EC-205-14-FA
Mink	EC-205-15-FA
Black - RAL 9005	EC-205-16-FA
Ash Black	EC-205-17-FA
Champagne	EC-205-18-FA
Dark Beige - RAL 1019	EC-205-19-FA

Product Features	
Weight per pair	0,780 kg
Packaging	
Package contents (pcs)	50 pcs
Weight per package	39,100 kg
Package size	580x680x215 mm



SUN PROTECTION



GLARE PROTECTION



PRIVACY PROTECTION



LIGHT CONTROL



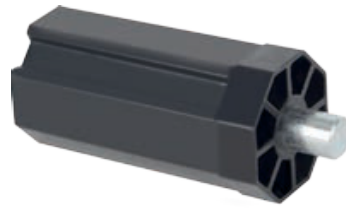
ENERGY SAVING



COLD AND THERMAL  
INSULATION



# ACCESSORIES



SUN PROTECTION



GLARE PROTECTION



PRIVACY PROTECTION



LIGHT CONTROL



ENERGY SAVING



COLD AND THERMAL  
INSULATION



# PLASTIC ENTRY FOR GUIDE



## COLORS FOR 37mm, 39mm, 43mm,

White - RAL 9016

PE-001-01-PVC

Metallic Grey - RAL 9006

PE-001-02-PVC

Anthracite Grey - RAL 7016

PE-001-05-PVC

## COLORS FOR 55mm, 56mm

White - RAL 9016

PE-002-01-PVC

Metallic Grey - RAL 9006

PE-002-02-PVC

Anthracite Grey - RAL 7016

PE-002-05-PVC

### Product Features

Weight per pcs	0,020 kg
----------------	----------

### Packaging

Package contents (pcs)	400 pcs
------------------------	---------

Package size	
--------------	---

# PLASTIC CAP 100mm



## CODES

Ø 40 - PVC

PC-01-40-PVC

Ø 60 - PVC

PC-01-60-PVC

### Product Features

Weight per PCS	0,041 kg
----------------	----------

### Packaging

Package contents (pcs)	400 pcs
------------------------	---------

Package size	
--------------	---

# PLASTIC PULLEY Ø40 - Ø 60



## CODES

Ø 40 - 120

PU-04-120-40-P

Ø 40 - 140

PU-04-140-40-P

Ø 40 - 160

PU-04-160-40-P

## CODES

Ø 60 - 120

PU-04-120-60-P

Ø 60 - 140

PU-04-140-60-P

Ø 60 - 160

PU-04-160-60-P

### Product Features

Weight per pcs Ø 40	0,073 kg
---------------------	----------

Weight per pcs Ø 60	0,083 kg
---------------------	----------

### Packaging

Package contents (pcs)	100 pcs
------------------------	---------

Package size	
--------------	---

# OUTSIDE PLASTIC STOPPER 40mm



## COLORS

White - RAL 9016	ST-040-01-PVC
Metallic Grey - RAL 9006	ST-040-02-PVC
Brown - RAL 8014	ST-040-03-PVC
Brown - RAL 8017	ST-040-07-PVC
Brown - RAL 8019	ST-040-08-PVC
Anthracite Grey - RAL 7016	ST-040-04-PVC
Light Ivory - RAL 1013	ST-040-05-PVC

Product Features	
Weight per pcs	0,007 kg
Packaging	
Package contents (pcs)	1000 pcs
Package size	

# INSIDE SMALL PLASTIC STOPPER

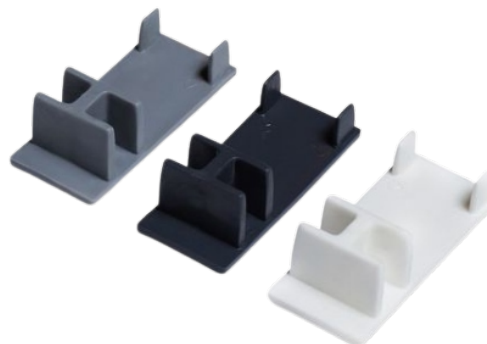


## CODES

ST-INS-01-PVC


Product Features	
Weight per meter	0,005 kg
Packaging	
Package contents (pcs)	1000 pcs
Package size	

# CAPS FOR ALUMINIUM GUIDES 54x22mm



## COLORS

White - RAL 9016	CA-54-22-01-GUC
Metallic Grey - RAL 9006	CA-54-22-02-GUC
Brown - RAL 8014	CA-54-22-03-GUC
Brown - RAL 8017	CA-54-22-07-GUC
Brown - RAL 8019	CA-54-22-08-GUC
Anthracite Grey - RAL 7016	CA-54-22-04-GUC
Light Ivory - RAL 1013	CA-54-22-05-GUC

Product Features	
Weight per pcs	0,040 kg
Packaging	
Package contents (pcs)	1000 pcs
Package size	

# PLASTIC PUGS 10mm



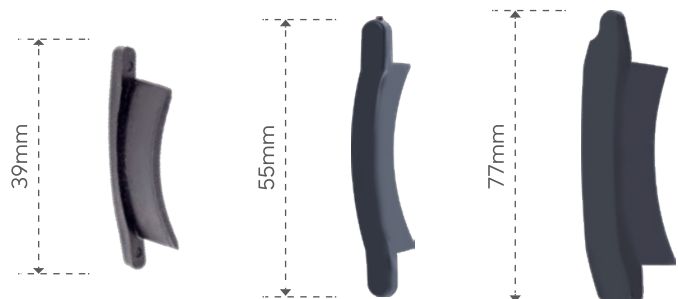
## COLORS

White - RAL 9016	PP-08-10-01-GUC
Metallic Grey - RAL 9006	PP-08-10-02-GUC
Brown - RAL 8014	PP-08-10-03-GUC
Brown - RAL 8017	PP-08-10-07-GUC
Brown - RAL 8019	PP-08-10-08-GUC
Anthracite Grey - RAL 7016	PP-08-10-04-GUC
Light Ivory - RAL 1013	PP-08-10-05-GUC

## Product Features

Weight per pcs	0,003 kg
Packaging	
Package contents (pcs)	1000 pcs
Package size	


# SIDE CAPS FOR ALUMINIUM SLATS



## CODES

39 mm	SC-00-39-PVC
55 mm	SC-00-55-PVC
77 mm	SC-00-77-PVC
100 mm	SC-00-100-PVC

## Product Features

Weight per 1000 pcs 39mm	0,646 kg
Weight per 1000 pcs 55mm	0,786 kg
Weight per 1000 pcs 77mm	1,214 kg
Weight per 1000 pcs 100mm	1,842 kg
Packaging	
Package contents (pcs)	1000 pcs
Package size	

# SAFETY SPRING PVC



## CODES

For Slats 37mm, 39mm, 43mm

SS-10-11-130

Product Features	
Weight per pcs	
Packaging	
Package contents (pcs)	
Package size	

# SAFETY SPRING METALIC



## CODES

For Slats 55mm, 56mm

SS-10-55-150

For Slats 77mm

SS-10-77-150

For Slats 77mm

SS-10-100-150

Product Features	
Weight per pcs	
Packaging	
Package contents (pcs)	
Package size	

# SAFETY SPRING SUPERBLOCK




## CODES

Ø 40 - PVC

SB-00-12-F40

Ø 60 - PVC

SB-00-12-F60

Product Features	
Weight per pcs	
Packaging	
Package contents (pcs)	
Package size	

# WINDE COILER WITH STRAP



## COLORS

White - RAL 9016	CO-150-01-WD
Metallic Grey - RAL 9006	CO-150-02-WD
Brown - RAL 8014	CO-150-03-WD
Anthracite Grey - RAL 7016	CO-150-04-WD

Product Features	
Weight per pcs	0,280 kg
Packaging	
Package contents (pcs)	25 pcs
Package size	

# B2 COILER WITH STRAP



## COLORS

White - RAL 9016	CO-150-01-B2
Metallic Grey - RAL 9006	CO-150-02-B2
Brown - RAL 8014	CO-150-03-B2
Anthracite Grey - RAL 7016	CO-150-04-B2

Product Features	
Weight per pcs	0,260 kg
Packaging	
Package contents (pcs)	25 pcs
Package size	

# COILER WITH ROPE AND SPRING



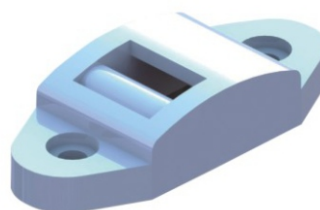
## COLORS

White - RAL 9016	CO-150-01-SP
Metallic Grey - RAL 9006	CO-150-02-SP
Brown - RAL 8014	CO-150-03-SP
Anthracite Grey - RAL 7016	CO-150-04-SP

Product Features	
Weight per pcs	0,340 kg
Packaging	
Package contents (pcs)	25 pcs
Package size	



# STRAP GUIDE 14x12mm PVC



## COLORS

White - RAL 9016	SG-14-12-01
Metallic Grey - RAL 9006	SG-14-12-02
Brown - RAL 8014	SG-14-12-03
Anthracite Grey - RAL 7016	SG-14-12-04

Product Features	
Weight per pcs	
Packaging	
Package contents (pcs)	
Package size	

# STRAP GUIDE MINI PVC



## COLORS

White - RAL 9016	SG-MINI-01
Metallic Grey - RAL 9006	SG-MINI-02
Brown - RAL 8014	SG-MINI-03
Anthracite Grey - RAL 7016	SG-MINI-04

Product Features	
Weight per pcs	
Packaging	
Package contents (pcs)	
Package size	

# STRAP GUIDE METALIC



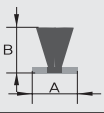
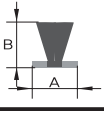
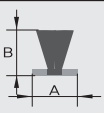
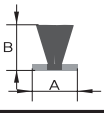
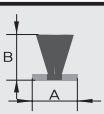
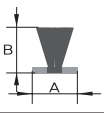
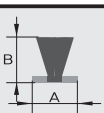
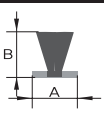
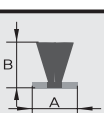
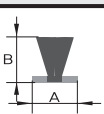
## COLORS

White - RAL 9016	SG-MTLC-01
Metallic Grey - RAL 9006	SG-MTLC-02
Brown - RAL 8014	SG-MTLC-03
Anthracite Grey - RAL 7016	SG-MTLC-04

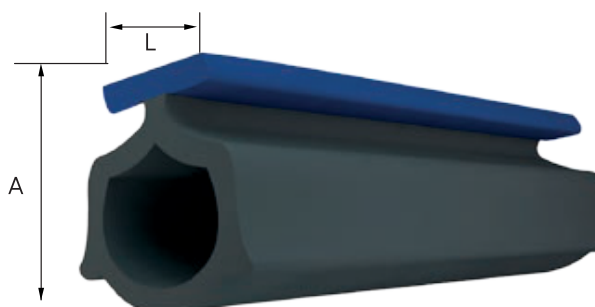
Product Features	
Weight per pcs	
Packaging	
Package contents (pcs)	
Package size	

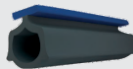
# INSERT BRUSHES FOR GUIDE CHANNELS



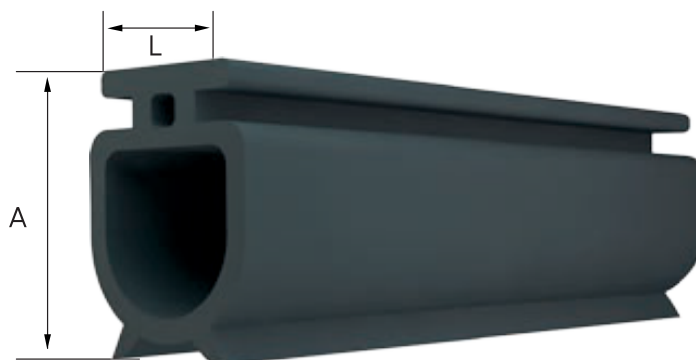
	CODES	A	B	PACKAGE CONTENTS
	BI-48-550	4,8mm	5,5mm	450 meters
	BI-68-550	6,7mm	5,5mm	450 meters
	BI-48-600	4,8mm	6,0mm	400 meters
	BI-68-600	6,7mm	6,0mm	400 meters
	BI-48-650	4,8mm	6,5mm	370 meters
	BI-68-650	6,7mm	6,5mm	370 meters
	BI-48-800	4,8mm	8,0mm	350 meters
	BI-68-800	6,7mm	8,0mm	350 meters
	BI-48-1200	4,8mm	12,0mm	250 meters
	BI-68-1200	6,7mm	12,0mm	250 meters

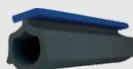
## GASGETS FOR END SLATS



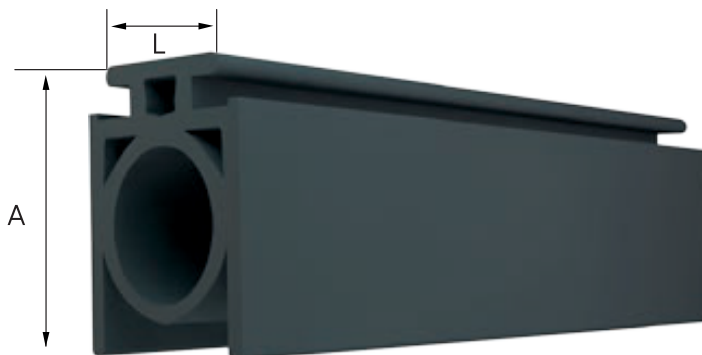
	CODES	A	L	PACKAGE CONTENTS
	RH-00-ES-MINI	4,0mm	7,0mm	150 meters

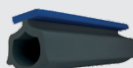
## GASGETS FOR END SLATS



	CODES	A	L	PACKAGE CONTENTS
	RH-00-ES-01	12,4mm	16,5mm	100 meters

## GASGETS FOR END SLATS



	CODES	A	L	PACKAGE CONTENTS
	RH-00-ES-02	13,3mm	20,0mm	50 meters